



MODEL BMW S 1000 RR

YEAR 2010-->

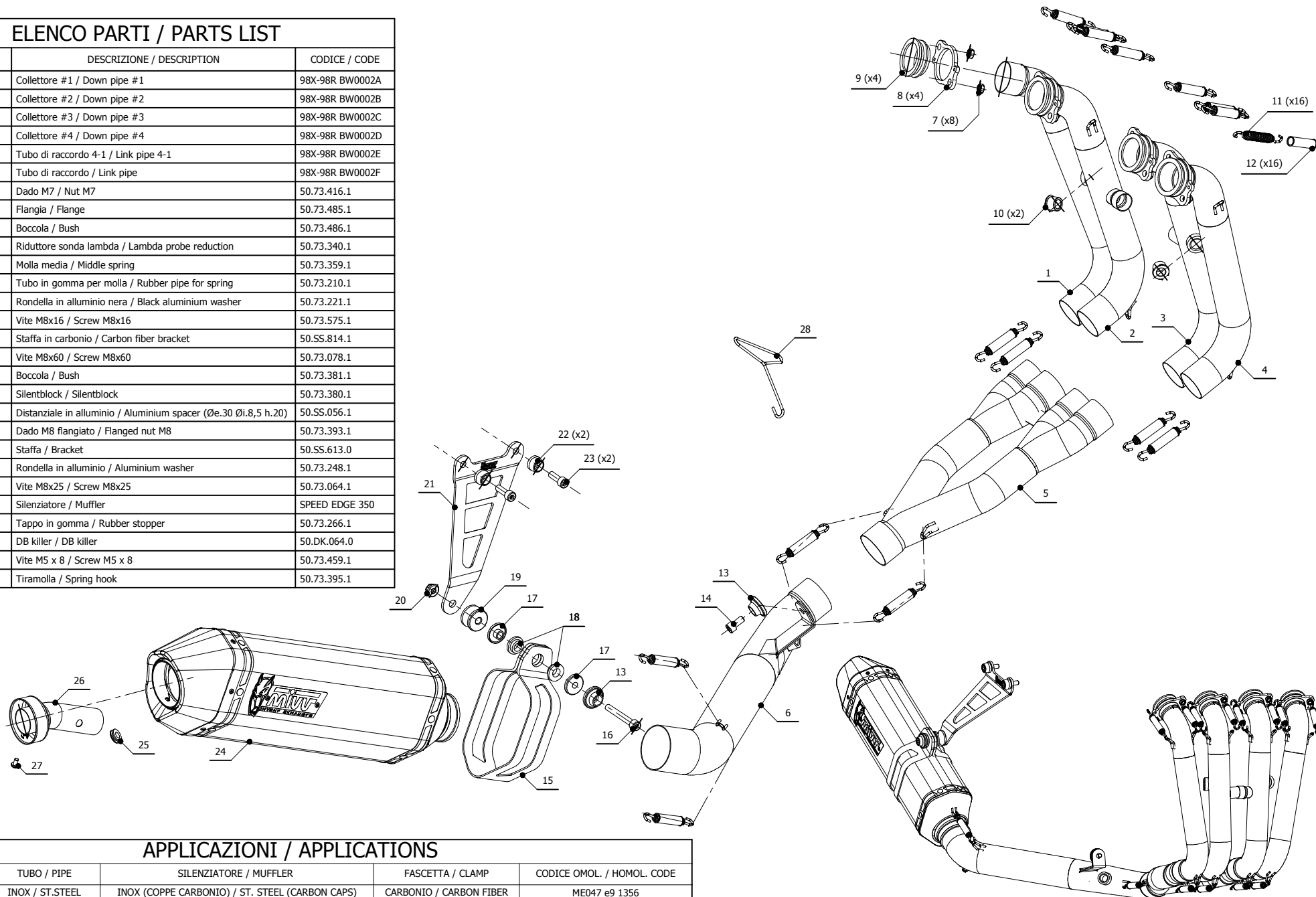
LINE POWER STEEL / POWER EVO

MUFFLER SPEED EDGE

SCHEMATIC

ELENCO PARTI / PARTS LIST

#	QTÀ / QTY	DESCRIZIONE / DESCRIPTION	CODICE / CODE
1	1	Collettore #1 / Down pipe #1	98X-98R BW0002A
2	1	Collettore #2 / Down pipe #2	98X-98R BW0002B
3	1	Collettore #3 / Down pipe #3	98X-98R BW0002C
4	1	Collettore #4 / Down pipe #4	98X-98R BW0002D
5	1	Tubo di raccordo 4-1 / Link pipe 4-1	98X-98R BW0002E
6	1	Tubo di raccordo / Link pipe	98X-98R BW0002F
7	8	Dado M7 / Nut M7	50.73.416.1
8	4	Flangia / Flange	50.73.485.1
9	4	Boccola / Bush	50.73.486.1
10	2	Riduttore sonda lambda / Lambda probe reduction	50.73.340.1
11	16	Molla media / Middle spring	50.73.359.1
12	16	Tubo in gomma per molla / Rubber pipe for spring	50.73.210.1
13	2	Rondella in alluminio nera / Black aluminium washer	50.73.221.1
14	1	Vite M8x16 / Screw M8x16	50.73.575.1
15	1	Staffa in carbonio / Carbon fiber bracket	50.SS.814.1
16	1	Vite M8x60 / Screw M8x60	50.73.078.1
17	2	Boccola / Bush	50.73.381.1
18	2	Silentblock / Silentblock	50.73.380.1
19	1	Distanziale in alluminio / Aluminium spacer (Øe.30 Øi.8,5 h.20)	50.SS.056.1
20	1	Dado M8 flangiato / Flanged nut M8	50.73.393.1
21	1	Staffa / Bracket	50.SS.613.0
22	2	Rondella in alluminio / Aluminium washer	50.73.248.1
23	2	Vite M8x25 / Screw M8x25	50.73.064.1
24	1	Silenziatore / Muffler	SPEED EDGE 350
25	1	Tappo in gomma / Rubber stopper	50.73.266.1
26	1	DB killer / DB killer	50.DK.064.0
27	1	Vite M5 x 8 / Screw M5 x 8	50.73.459.1
28	1	Tiramolla / Spring hook	50.73.395.1



APPLICAZIONI / APPLICATIONS

CODICE / CODE	TUBO / PIPE	SILENZIATORE / MUFFLER	FASCETTA / CLAMP	CODICE OMOL. / HOMOL. CODE
00.X.BW.0002.LRX	INOX / ST. STEEL	INOX (COPPE CARBONIO) / ST. STEEL (CARBON CAPS)	CARBONIO / CARBON FIBER	ME047 e9 1356
00.R.BW.0002.LRT	TITANIO / TITANIUM	TITANIO (COPPE CARBONIO) / TITANIUM (CARBON CAPS)	CARBONIO / CARBON FIBER	ME047 e9 1356