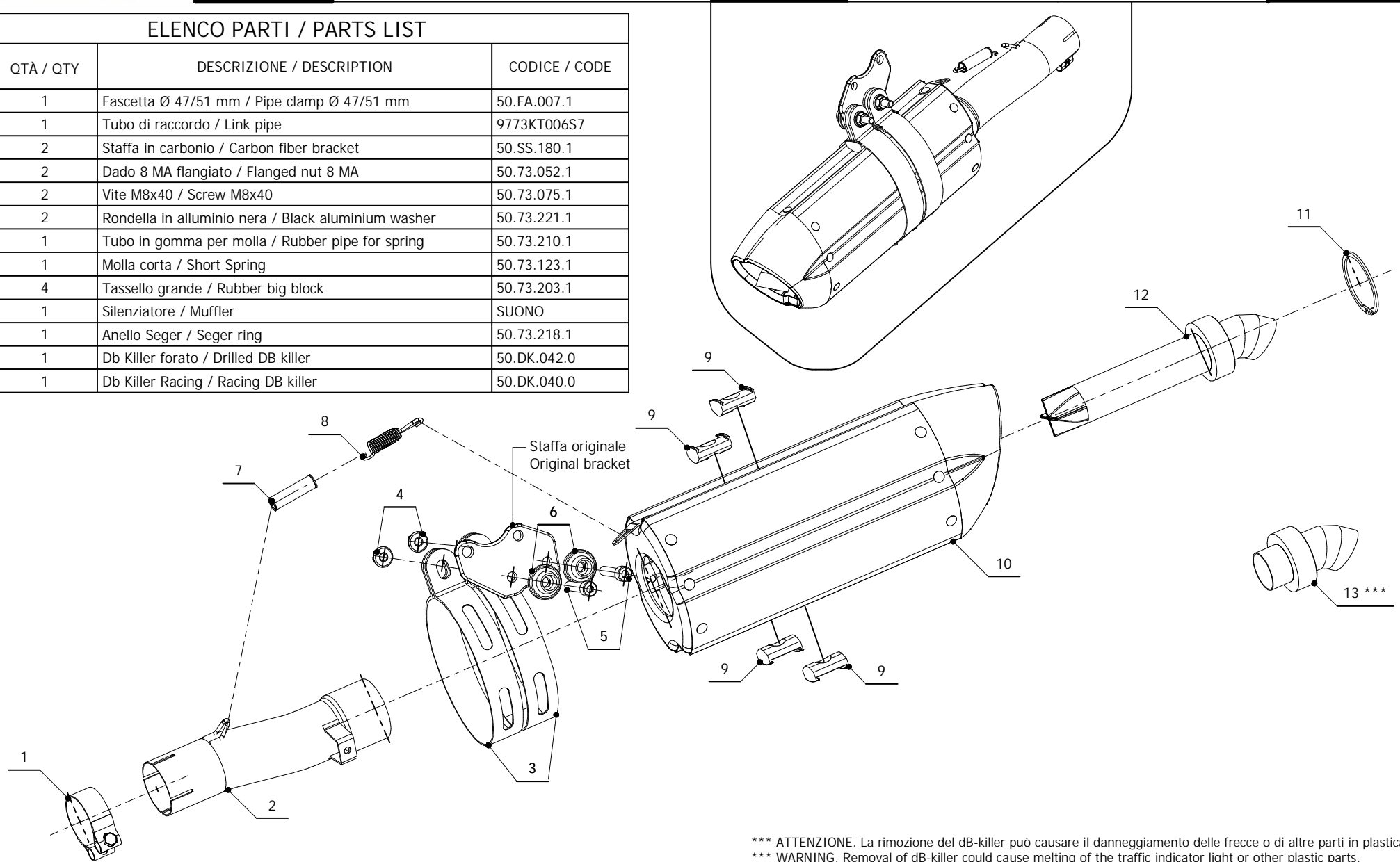


ELENCO PARTI / PARTS LIST

#	QTA / QTY	DESCRIZIONE / DESCRIPTION	CODICE / CODE
1	1	Fascetta Ø 47/51 mm / Pipe clamp Ø 47/51 mm	50.FA.007.1
2	1	Tubo di raccordo / Link pipe	9773KT006S7
3	2	Staffa in carbonio / Carbon fiber bracket	50.SS.180.1
4	2	Dado 8 MA flangiato / Flanged nut 8 MA	50.73.052.1
5	2	Vite M8x40 / Screw M8x40	50.73.075.1
6	2	Rondella in alluminio nera / Black aluminium washer	50.73.221.1
7	1	Tubo in gomma per molla / Rubber pipe for spring	50.73.210.1
8	1	Molla corta / Short Spring	50.73.123.1
9	4	Tassello grande / Rubber big block	50.73.203.1
10	1	Silenziatore / Muffler	SUONO
11	1	Anello Seger / Seger ring	50.73.218.1
12	1	Db Killer forato / Drilled DB killer	50.DK.042.0
13	1	Db Killer Racing / Racing DB killer	50.DK.040.0


APPLICAZIONI / APPLICATIONS

CODICE / CODE	TUBO / PIPE	SILENZIATORE / MUFFLER	FASCETTA / CLAMP	CODICE OMOLOGAZIONE / HOMOLOGATION CODE
KT.006.L7	INOX / STAINLESS STEEL	CARBONIO E TITANIO / CARBON FIBER AND TITANIUM	CARBONIO / CARBON FIBER	