



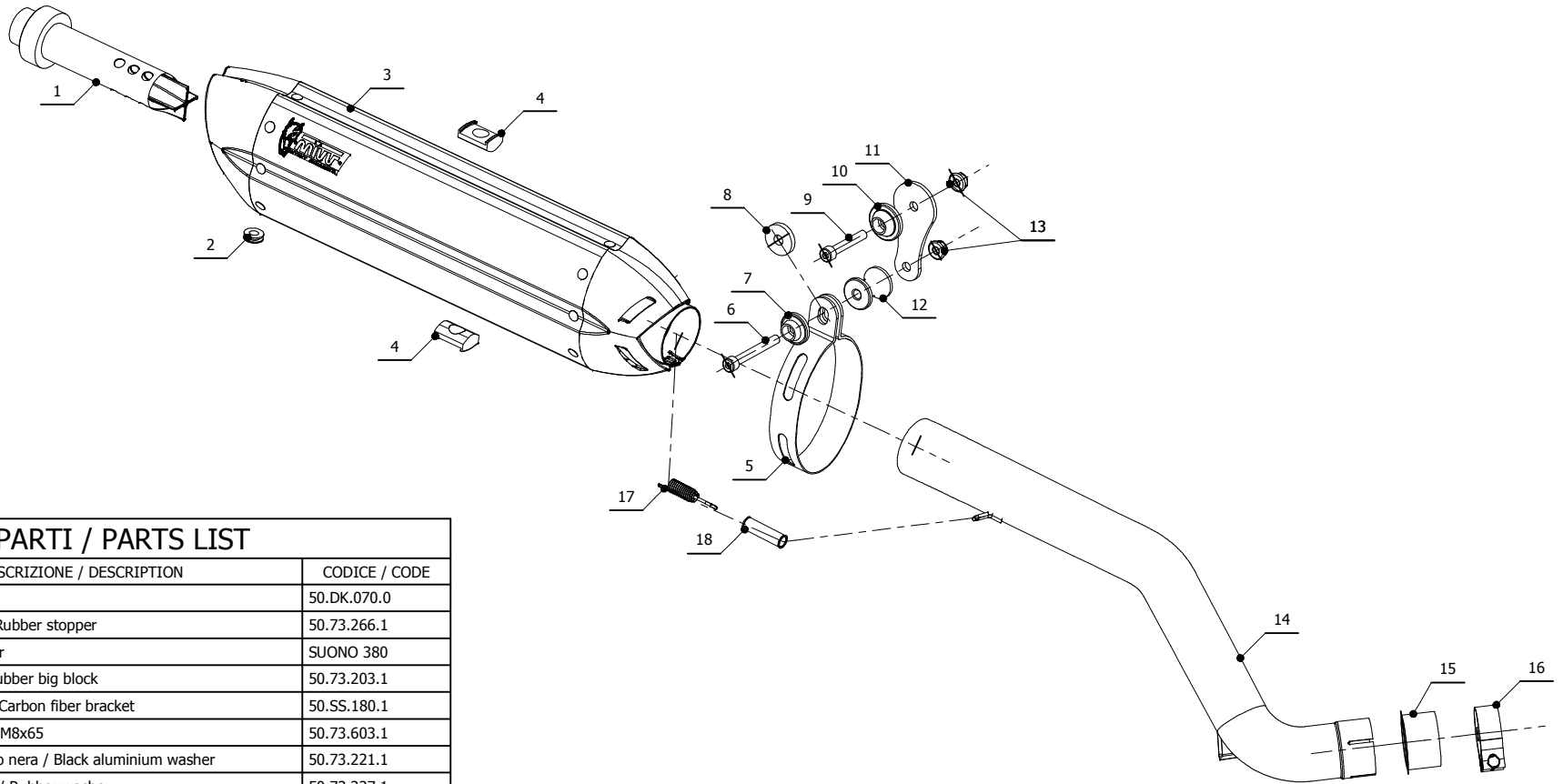
**MODEL** TRIUMPH TIGER 1050 SPORT

**YEAR** 2013

**LINE** SPORT

**MUFFLER** SUONO

**SCHEMATIC**



**ELENCO PARTI / PARTS LIST**

| #  | QTÀ / QTY | DESCRIZIONE / DESCRIPTION                                       | CODICE / CODE  |
|----|-----------|---|----------------|
| 1  | 1         | DB killer / DB killer   | 50.DK.070.0    |
| 2  | 1         | Tappo in gomma / Rubber stopper                                 | 50.73.266.1    |
| 3  | 1         | Silenziatore / Muffler  | SUONO 380      |
| 4  | 2         | Tassello grande / Rubber big block                              | 50.73.203.1    |
| 5  | 1         | Staffa in carbonio / Carbon fiber bracket                       | 50.SS.180.1    |
| 6  | 1         | Vite M8x65 / Screw M8x65  | 50.73.603.1    |
| 7  | 1         | Rondella in alluminio nera / Black aluminium washer             | 50.73.221.1    |
| 8  | 1         | Rondella in gomma / Rubber washer                               | 50.73.227.1    |
| 9  | 1         | Vite M8x50 / Screw M8x50  | 50.73.074.1    |
| 10 | 1         | Rondella in alluminio / Aluminium washer                        | 50.73.063.1    |
| 11 | 1         | Staffa / Bracket  | 50.SS.750.0    |
| 12 | 1         | Distanziale in alluminio / Aluminium spacer (Øe.30 Øi.8,5 h.35) | 50.SS.053.1    |
| 13 | 2         | Dado M8 flangiato / Flanged nut M8                              | 50.73.393.1    |
| 14 | 1         | Tubo di raccordo / Link Pipe                                    | 9773T014SE     |
| 15 | 1         | Guarnizione in grafite / Graphite bush                          | 50.72.45.50.30 |
| 16 | 1         | Fascetta Ø 48/51 mm / Pipe clamp Ø 48/51 mm                     | 50.FA.007.1    |
| 17 | 1         | Molla corta / Short Spring                                      | 50.73.123.1    |
| 18 | 1         | Tubo in gomma per molla / Rubber pipe for spring                | 50.73.210.1    |

**APPLICAZIONI / APPLICATIONS**

| CODICE / CODE | TUBO / PIPE      | SILENZIATORE / MUFFLER                          | FASCETTA / CLAMP        | CODICE OMOL. / HOMOL. CODE |
|---------------|------------------|---|-------------------------|----------------------------|
| T.014.L7      | INOX / ST. STEEL | INOX (COPPE CARBONIO) / ST. STEEL (CARBON CAPS) | CARBONIO / CARBON FIBER | ME002 e9 1177              |
| T.014.L9      | INOX / ST. STEEL | STEEL BLACK                                     | CARBONIO / CARBON FIBER | ME002 e9 1177              |

