



MODEL SUZUKI GSX-R 1000

YEAR 2009 - 2011

LINE SLIP ON

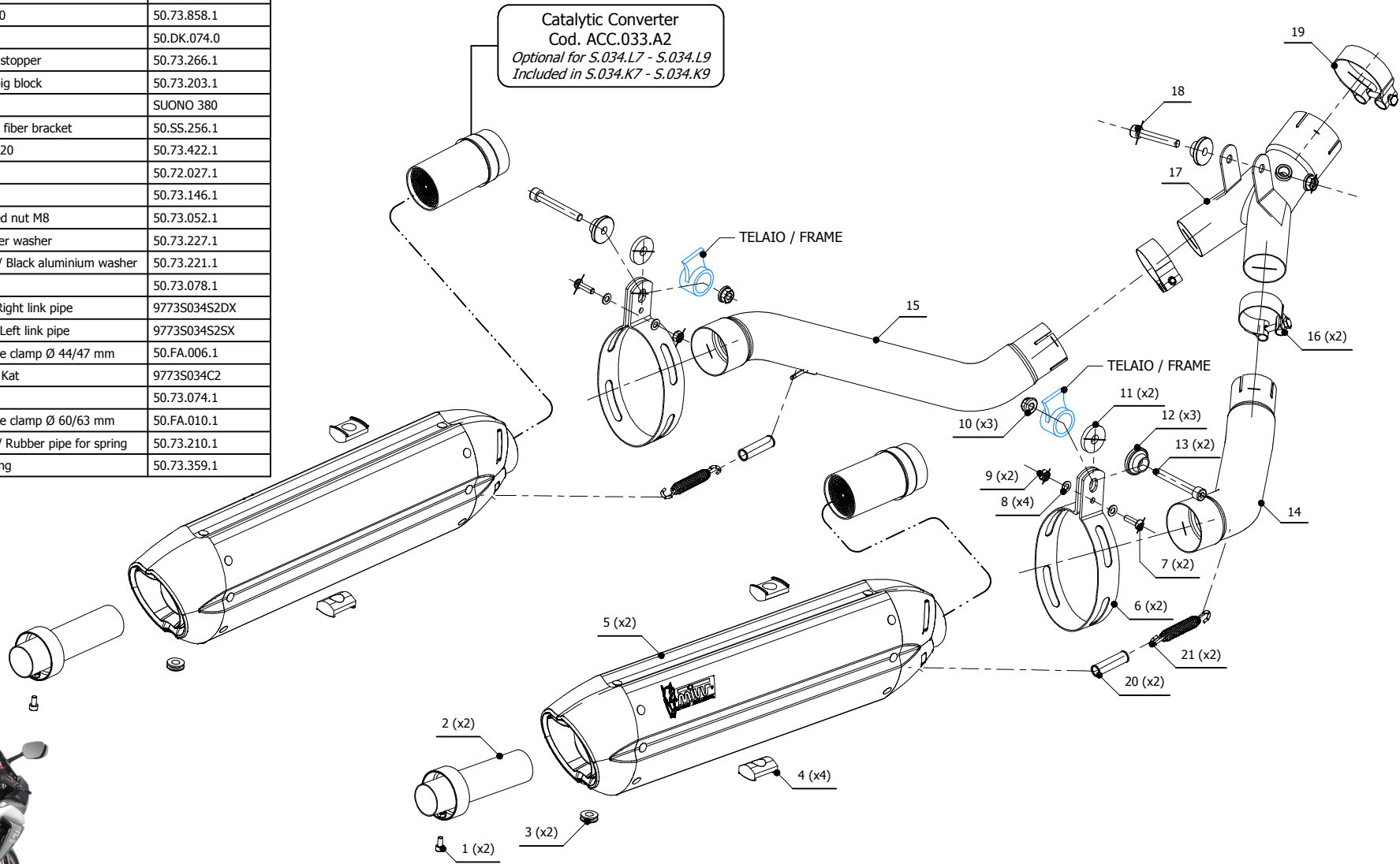
MUFFLER SUONO

SCHEMATIC

ELENCO PARTI / PARTS LIST

#	QTÀ / QTY	DESCRIZIONE / DESCRIPTION	CODICE / CODE
1	2	Vite M5x10 / Screw M5 x 10	50.73.858.1
2	2	DB killer / DB killer	50.DK.074.0
3	2	Tappo in gomma / Rubber stopper	50.73.266.1
4	4	Tassello grande / Rubber big block	50.73.203.1
5	2	Silenziatore / Muffler	SUONO 380
6	2	Staffa in carbonio / Carbon fiber bracket	50.SS.256.1
7	2	Vite M6 x 20 / Screw M6 x 20	50.73.422.1
8	4	Rondella M6 / Washer M6	50.72.027.1
9	2	Dado M6 / Nut M6	50.73.146.1
10	3	Dado M8 flangiato / Flanged nut M8	50.73.052.1
11	2	Rondella in gomma / Rubber washer	50.73.227.1
12	3	Rondella in alluminio nera / Black aluminium washer	50.73.221.1
13	2	Vite M8x60 / Screw M8x60	50.73.078.1
14	1	Tubo di raccordo destro / Right link pipe	9773S034S2DX
15	1	Tubo di raccordo sinistro / Left link pipe	9773S034S2SX
16	2	Fascetta Ø 44/47 mm / Pipe clamp Ø 44/47 mm	50.FA.006.1
17	1	Tubo elimina Kat / Pipe no Kat	9773S034C2
18	1	Vite M8x50 / Screw M8x50	50.73.074.1
19	1	Fascetta Ø 60/63 mm / Pipe clamp Ø 60/63 mm	50.FA.010.1
20	2	Tubo in gomma per molla / Rubber pipe for spring	50.73.210.1
21	2	Molla media / Mid-size spring	50.73.359.1

Catalytic Converter
Cod. ACC.033.A2
Optional for S.034.L7 - S.034.L9
Included in S.034.K7 - S.034.K9



APPLICAZIONI / APPLICATIONS

CODICE / CODE	SILENZIATORE / MUFFLER	TUBO / PIPE	FASCETTA / CLAMP
S.034.L7	INOX (COPPE CARBONIO) / ST. STEEL (CARBON CAPS)	INOX / ST. STEEL	CARBONIO / CARBON FIBER
S.034.L9	STEEL BLACK		