



**MODEL** SUZUKI SFV 650 GLADIUS

**YEAR** 2009 -->

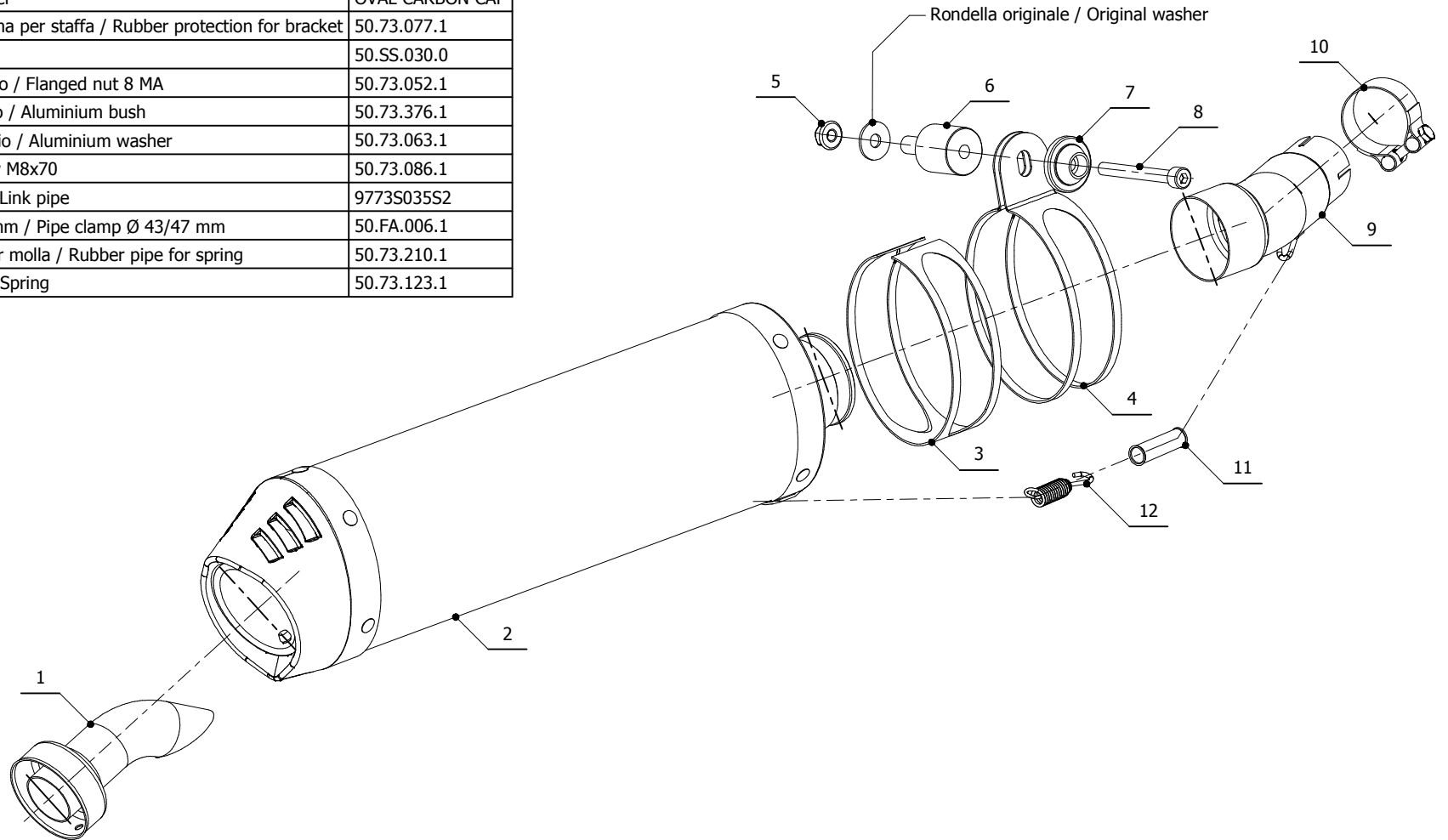
**LINE** SPORT

**MUFFLER** OVAL CARBON CAP

**SCHEMATIC**

**ELENCO PARTI / PARTS LIST**

#	QTÀ / QTY	DESCRIZIONE / DESCRIPTION	CODICE / CODE
1	1	DB killer / DB killer	50.DK.020.0
2	1	Silenziatore / Muffler	OVAL CARBON CAP
3	1	Protezione in gomma per staffa / Rubber protection for bracket	50.73.077.1
4	1	Staffa / Bracket	50.SS.030.0
5	1	Dado 8 MA flangiato / Flanged nut 8 MA	50.73.052.1
6	1	Bussola in alluminio / Aluminium bush	50.73.376.1
7	1	Rondella in alluminio / Aluminium washer	50.73.063.1
8	1	Vite M8x70 / Screw M8x70	50.73.086.1
9	1	Tubo di raccordo / Link pipe	9773S035S2
10	1	Fascetta Ø 43/47 mm / Pipe clamp Ø 43/47 mm	50.FA.006.1
11	1	Tubo in gomma per molla / Rubber pipe for spring	50.73.210.1
12	1	Molla corta / Short Spring	50.73.123.1



**APPLICAZIONI / APPLICATIONS**

CODICE / CODE	TUBO / PIPE	SILENZIATORE / MUFFLER	FASCETTA / CLAMP	CODICE OMOL. / HOMOL.CODE
S.035.L3C	INOX / ST.STEEL	CARBONIO (COPPA CARBONIO) / CARBON (CARBON CAP)	INOX / ST.STEEL	ME047 e9 1356
S.035.L4C	INOX / ST.STEEL	TITANIO (COPPA CARBONIO) / TITANIUM (CARBON CAP)	INOX / ST.STEEL	ME047 e9 1356