



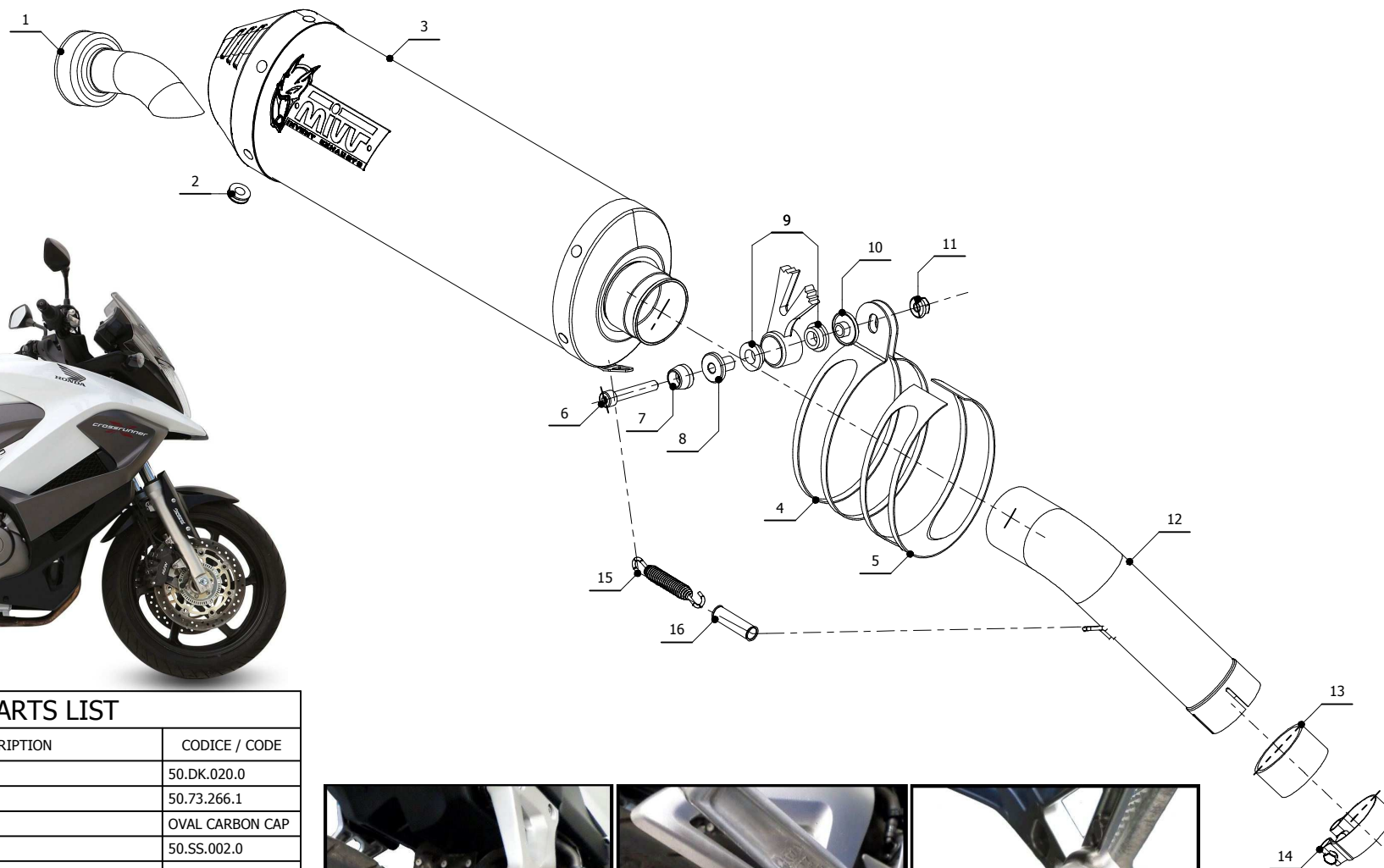
**MODEL** HONDA CROSSRUNNER

**YEAR** 2011 -->

**LINE** SPORT

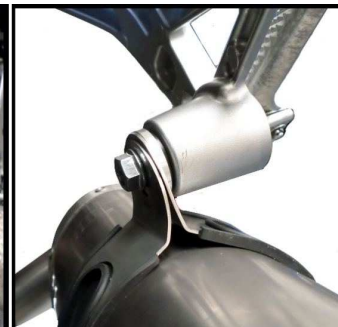
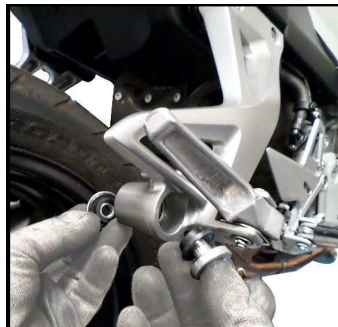
**MUFFLER** OVAL CARBON CAP

**SCHEMATIC**



**ELENCO PARTI / PARTS LIST**

#	QTÀ / QTY	DESCRIZIONE / DESCRIPTION	CODICE / CODE
1	1	DB killer / DB killer	50.DK.020.0
2	1	Tappo in gomma / Rubber stopper	50.73.266.1
3	1	Silenziatore / Muffler	OVAL CARBON CAP
4	1	Staffa / Bracket	50.SS.002.0
5	1	Protezione in gomma per staffa / Rubber protection for bracket	50.73.041.1
6	1	Vite M8x50 / Screw M8x50	50.73.074.1
7	1	Rondella in alluminio / Aluminium washer	50.73.248.1
8	1	Bussola in alluminio / Aluminium bush	50.73.081.1
9	2	Silentblock / Silentblock	50.73.380.1
10	1	Boccola / Bush	50.73.381.1
11	1	Dado M8 flangiato / Flanged nut M8	50.73.393.1
12	1	Tubo di raccordo / Link pipe	9773H053S2
13	1	Guarnizione in grafite / Graphite bush	50.72.48.54.30
14	1	Fascetta Ø 52/55 mm / Pipe clamp Ø 52/55 mm	50.FA.008.1
15	1	Molla media / Middle spring	50.73.359.1
16	1	Tubo in gomma per molla / Rubber pipe for spring	50.73.210.1



**APPLICAZIONI / APPLICATIONS**

CODICE / CODE	TUBO / PIPE	SILENZIATORE / MUFFLER	FASCETTA / CLAMP	CODICE OMOL. / HOMOL.COD
H.053.LEC	INOX / ST.STEEL	CARBONIO (COPPA CARBONIO) / CARBON (CARBON CAP)	INOX / ST.STEEL	ME008 e9 1176
H.053.LNC	INOX / ST.STEEL	TITANIO (COPPA CARBONIO) / TITANIUM (CARBON CAP)	INOX / ST.STEEL	ME008 e9 1176