



MODEL KTM SX-F 450

YEAR 2012

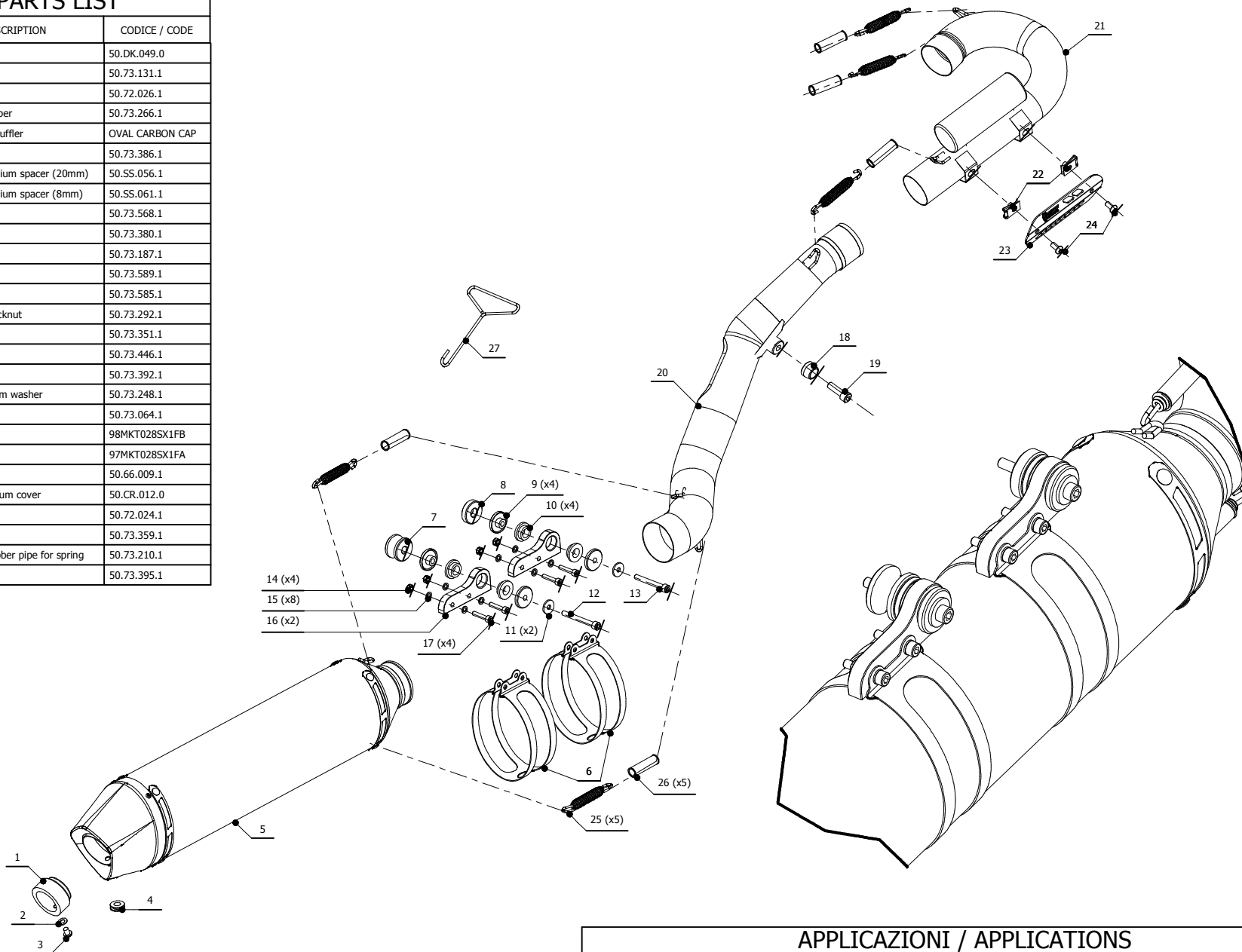
LINE STRONGER *Cross*

MUFFLER OVAL STEEL CARBON CAP

SCHEMATIC

ELENCO PARTI / PARTS LIST

| # | QTÀ / QTY | DESCRIZIONE / DESCRIPTION | CODICE / CODE |
|----|-----------|----------------------------------------------------|-----------------|
| 1 | 1 | DB killer / DB killer | 50.DK.049.0 |
| 2 | 1 | Rondella M6 / Washer M6 | 50.73.131.1 |
| 3 | 1 | Vite M6 x 8 / Screw M6 x 8 | 50.72.026.1 |
| 4 | 1 | Tappo in gomma / Rubber stopper | 50.73.266.1 |
| 5 | 1 | Silenziatore INOX / ST.STEEL muffler | OVAL CARBON CAP |
| 6 | 2 | Staffa / Bracket | 50.73.386.1 |
| 7 | 1 | Distanziale in alluminio / Aluminium spacer (20mm) | 50.SS.056.1 |
| 8 | 1 | Distanziale in alluminio / Aluminium spacer (8mm) | 50.SS.061.1 |
| 9 | 4 | Boccola / Bush | 50.73.568.1 |
| 10 | 4 | Silentblock / Silentblock | 50.73.380.1 |
| 11 | 2 | Rondella M6 / Washer M6 | 50.73.187.1 |
| 12 | 1 | Vite M6x55 / Screw M6x55 | 50.73.589.1 |
| 13 | 1 | Vite M6x50 / Screw M6x50 | 50.73.585.1 |
| 14 | 4 | Dado M5 autobloccante / M5 locknut | 50.73.292.1 |
| 15 | 8 | Rondella M5 / Washer M5 | 50.73.351.1 |
| 16 | 2 | Staffa / bracket | 50.73.446.1 |
| 17 | 4 | Vite M5 x 25 / Screw M5 x 25 | 50.73.392.1 |
| 18 | 1 | Rondella in alluminio / Aluminium washer | 50.73.248.1 |
| 19 | 1 | Vite M8x25 / Screw M8x25 | 50.73.064.1 |
| 20 | 1 | Tubo di raccordo / Link pipe | 98MKT028SX1FB |
| 21 | 1 | Tubo di raccordo / Link pipe | 97MKT028SX1FA |
| 22 | 2 | Dado rapido / Cage nut | 50.66.009.1 |
| 23 | 1 | Copertura in alluminio / Aluminium cover | 50.CR.012.0 |
| 24 | 2 | Vite M6 x 12 / Screw M6 x 12 | 50.72.024.1 |
| 25 | 5 | Molla media / Middle spring | 50.73.359.1 |
| 26 | 5 | Tubo in gomma per molla / Rubber pipe for spring | 50.73.210.1 |
| 27 | 1 | Tiramolla / Spring hook | 50.73.395.1 |



APPLICAZIONI / APPLICATIONS

| CODICE / CODE | TUBO / PIPE | SILENZIATORE / MUFFLER | FASCETTA / CLAMP | CARTER / COVER |
|----------------|-----------------|------------------------------------------------|------------------|-----------------------|
| M.KT.028.SXC.F | INOX / ST.STEEL | INOX (COPPA CARBONIO) / ST. STEEL (CARBON CAP) | INOX / ST.STEEL | ALLUMINIO / ALUMINIUM |