



MODEL HONDA CROSSTOURER 1200

YEAR 2012-->

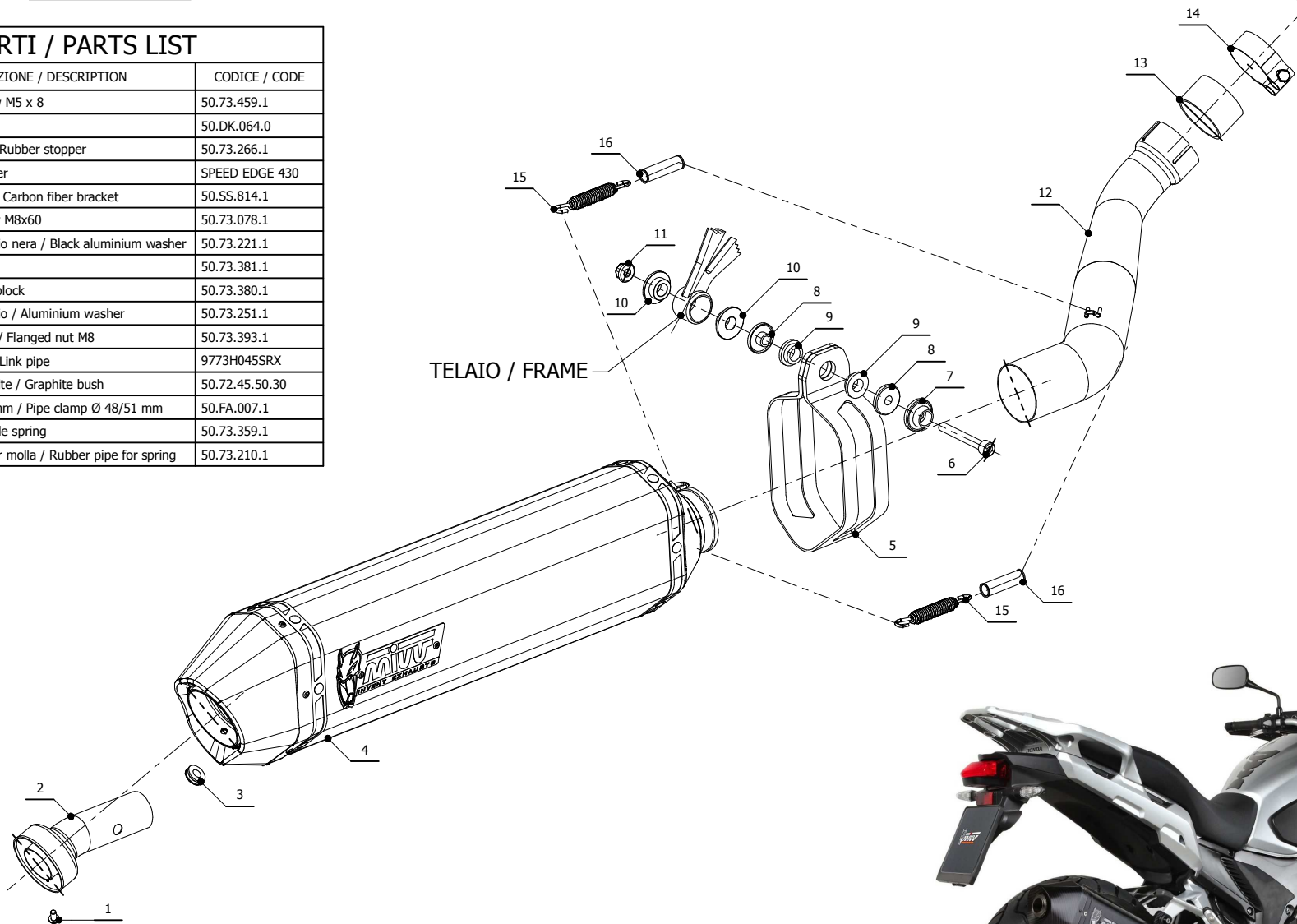
LINE SPORT

MUFFLER SPEED EDGE

SCHEMATIC

ELENCO PARTI / PARTS LIST

#	QTÀ / QTY	DESCRIZIONE / DESCRIPTION	CODICE / CODE
1	1	Vite M5 x 8 / Screw M5 x 8	50.73.459.1
2	1	DB killer / DB killer	50.DK.064.0
3	1	Tappo in gomma / Rubber stopper	50.73.266.1
4	1	Silenziatore / Muffler	SPEED EDGE 430
5	1	Staffa in carbonio / Carbon fiber bracket	50.SS.814.1
6	1	Vite M8x60 / Screw M8x60	50.73.078.1
7	1	Rondella in alluminio nera / Black aluminium washer	50.73.221.1
8	2	Boccola / Bush	50.73.381.1
9	2	Silentblock / Silentblock	50.73.380.1
10	2	Rondella in alluminio / Aluminium washer	50.73.251.1
11	1	Dado M8 flangiato / Flanged nut M8	50.73.393.1
12	1	Tubo di raccordo / Link pipe	9773H045SRX
13	1	Guarnizione in grafite / Graphite bush	50.72.45.50.30
14	1	Fascetta Ø 48/51 mm / Pipe clamp Ø 48/51 mm	50.FA.007.1
15	2	Molla media / Middle spring	50.73.359.1
16	2	Tubo in gomma per molla / Rubber pipe for spring	50.73.210.1



APPLICAZIONI / APPLICATIONS

CODICE / CODE	TUBO / PIPE	SILENZIATORE / MUFFLER	FASCETTA / CLAMP	CODICE OMOL. / HOMOL. CODE
H.045.LRX	INOX / ST. STEEL	INOX (COPPE CARBONIO) / ST. STEEL (CARBON CAPS)	CARBONIO / CARBON FIBER	ME002 e9 1177
H.045.LRB	INOX / ST. STEEL	STEEL BLACK	CARBONIO / CARBON FIBER	ME002 e9 1177