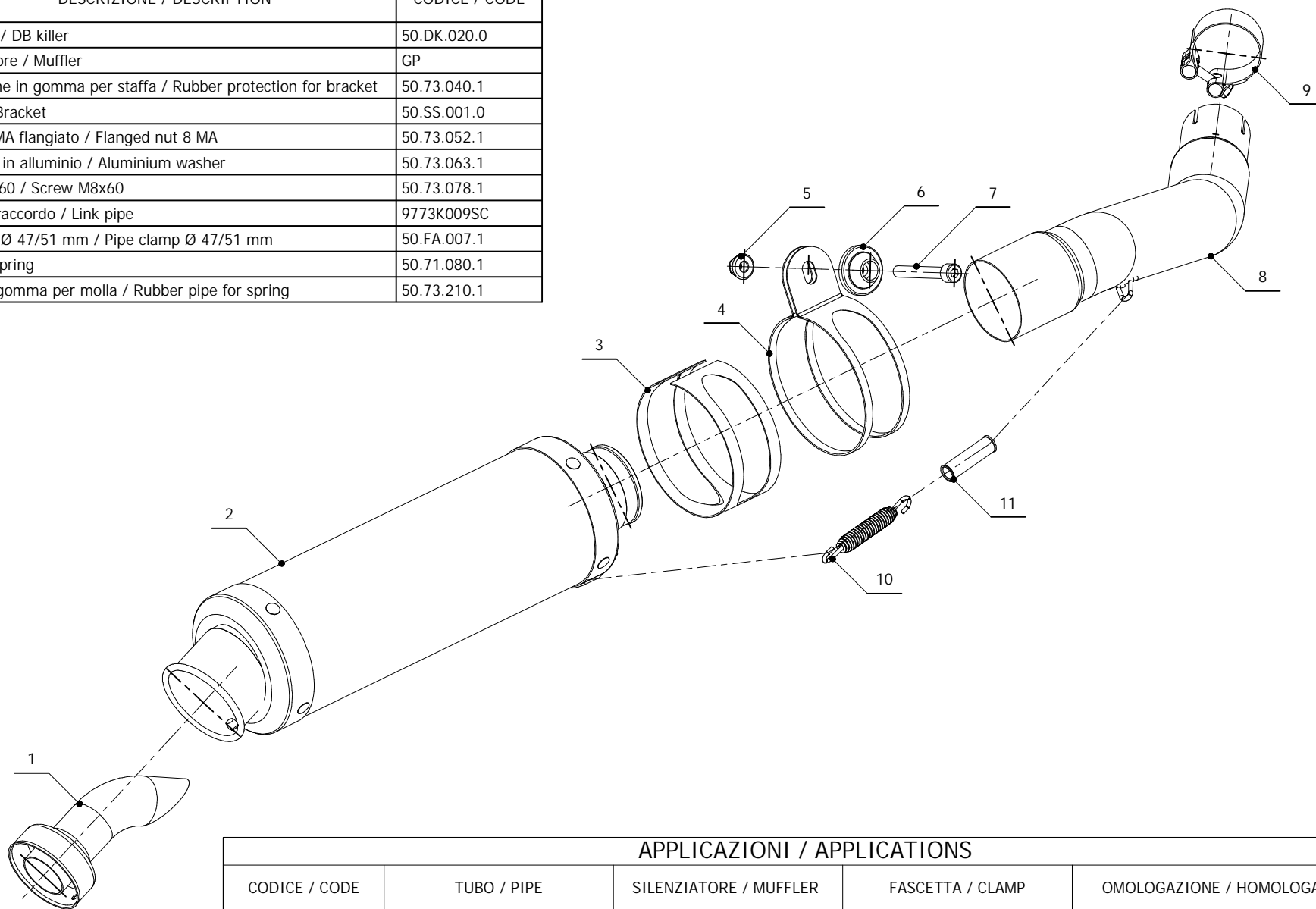


ELENCO PARTI / PARTS LIST

#	QTA / QTY	DESCRIZIONE / DESCRIPTION	CODICE / CODE
1	1	DB killer / DB killer	50.DK.020.0
2	1	Silenziatore / Muffler	GP
3	1	Protezione in gomma per staffa / Rubber protection for bracket	50.73.040.1
4	1	Staffa / Bracket	50.SS.001.0
5	1	Dado 8 MA flangiato / Flanged nut 8 MA	50.73.052.1
6	1	Rondella in alluminio / Aluminium washer	50.73.063.1
7	1	Vite M8x60 / Screw M8x60	50.73.078.1
8	1	Tubo di raccordo / Link pipe	9773K009SC
9	1	Fascetta Ø 47/51 mm / Pipe clamp Ø 47/51 mm	50.FA.007.1
10	1	Molla / Spring	50.71.080.1
11	1	Tubo in gomma per molla / Rubber pipe for spring	50.73.210.1


APPLICAZIONI / APPLICATIONS

CODICE / CODE	TUBO / PIPE	SILENZIATORE / MUFFLER	FASCETTA / CLAMP	OMOLOGAZIONE / HOMOLOGATION
K.009.L2S	INOX / STAINLESS STEEL	CARBONIO / CARBON FIBER	INOX / STAINLESS STEEL	OMOLOGATO / HOMOLOGATED
K.009.L6S	INOX / STAINLESS STEEL	TITANIO / TITANIUM	INOX / STAINLESS STEEL	OMOLOGATO / HOMOLOGATED