



**MODEL** APRILIA RSV4 APRC  
APRILIA TUONO V4 APRC

**LINE** SPORT

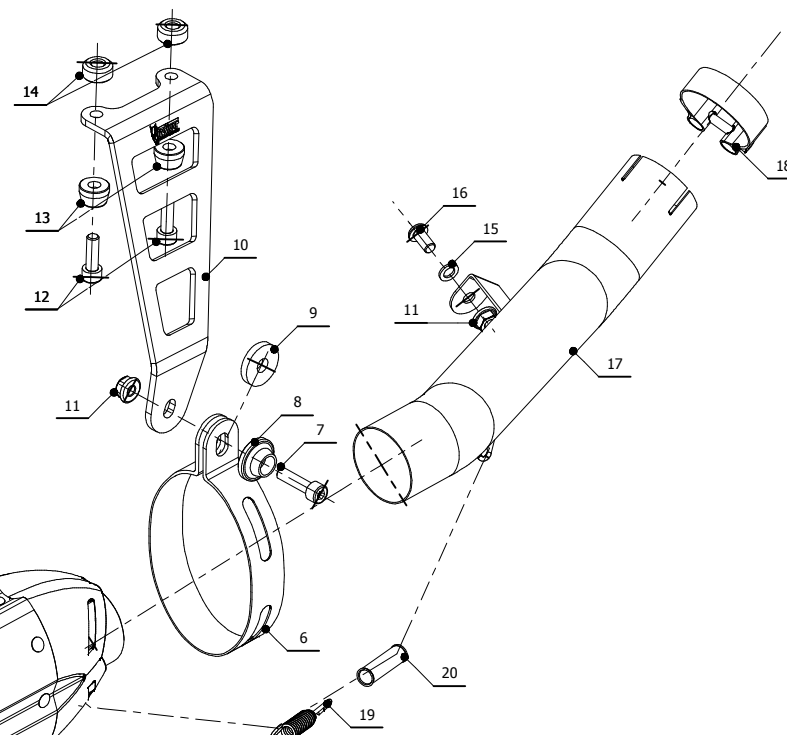
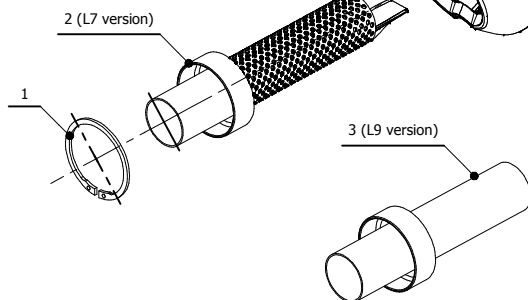
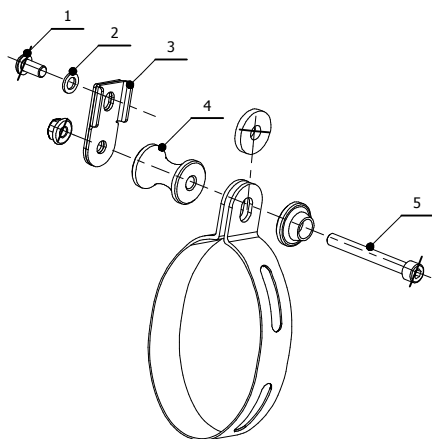
**YEAR** 2011-->  
2011-->

**MUFFLER** SUONO

**SCHEMATIC**

**KIT PEDANA ORIGINALE / ORIGINALE FOOTREST KIT**

#	QTÀ / QTY	DESCRIZIONE / DESCRIPTION	CODICE / CODE
1	1	Vite M8 x 16 / Screw M8 x 16	50.73.098.1
2	1	Rondella M8 / Washer M8	50.73.270.1
3	1	Staffa / Bracket	50.SS.581.0
4	1	Distanziale in alluminio / Aluminium spacer	50.SS.191.1
5	1	Vite M8x70 / Screw M8x70	50.73.086.1



**ELENCO PARTI / PARTS LIST**

#	QTÀ / QTY	DESCRIZIONE / DESCRIPTION	CODICE / CODE
1	1	Anello Seger / Seger ring	50.73.218.1
2	1	Db Killer forato / Drilled DB killer	50.DK.025.0
3	1	DB killer / DB killer	50.DK.056.0
4	1	Silenziatore / Muffler	SUONO
5	2	Tassello grande / Rubber big block	50.73.203.1
6	1	Staffa in carbonio / Carbon fiber bracket	50.SS.180.1
7	1	Vite M8x30 / Screw M8x30	50.73.219.1
8	1	Rondella in alluminio nera / Black aluminium washer	50.73.221.1
9	1	Rondella in gomma / Rubber washer	50.73.227.1
10	1	Staffa / Bracket	50.SS.623.0
11	2	Dado 8 MA flangiato / Flanged nut 8 MA	50.73.052.1
12	2	Vite M8x25 / Screw M8x25	50.73.064.1
13	2	Rondella in alluminio / Aluminium washer	50.73.248.1
14	2	Distanziale in alluminio / Aluminium spacer	50.SS.070.1
15	1	Rondella M8 / Washer M8	50.73.270.1
16	1	Vite M8 x 16 / Screw M8 x 16	50.73.098.1
17	1	Tube di raccordo / Link pipe	9773A008S2
18	1	Fascetta Ø 56/59 mm / Pipe clamp Ø 56/59 mm	50.FA.009.1
19	1	Molla corta / Short Spring	50.73.123.1
20	1	Tube in gomma per molla / Rubber pipe for spring	50.73.210.1

**APPLICAZIONI / APPLICATIONS**

CODICE / CODE	TUBO / PIPE	SILENZIATORE / MUFFLER	FASCETTA / CLAMP
A.009.L7	INOX / ST. STEEL	INOX (COPPE CARBONIO) / ST. STEEL (CARBON CAPS)	CARBONIO / CARBON FIBER
A.009.L9	INOX / ST. STEEL	CARBONIO (COPPE CARBONIO) / CARBON (CARBON CAPS)	CARBONIO / CARBON FIBER