



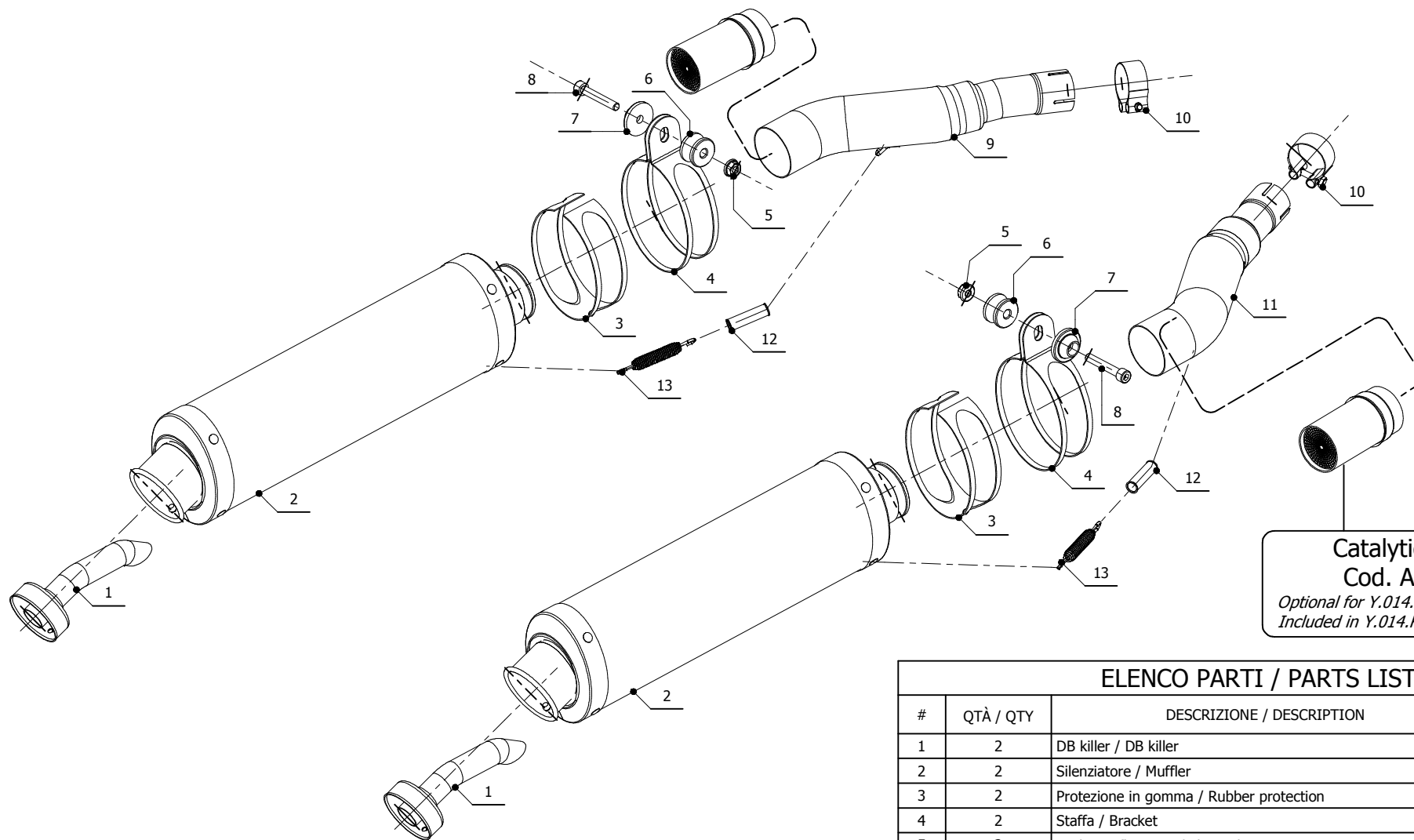
MODEL YAMAHA TDM 900

YEAR 2002 - 2014

LINE SLIP ON

MUFFLER OVAL

SCHEMATIC



Catalytic Converter
Cod. ACC.033.A2
Optional for Y.014.L3- Y.014.L4 - Y.014.LX1
Included in Y.014.K3- Y.014.K4 - Y.014.KX1

APPLICAZIONI / APPLICATIONS

CODICE / CODE	SILENZIATORE / MUFFLER	TUBO / PIPE	FASCETTA / CLAMP	NOTE
Y.014.L3 Y.014.L4 Y.014.LX1	CARBONIO / CARBON FIBERTITANIO / TITANIUMINOX / ST. STEEL	INOX / ST. STEEL	INOX / ST. STEEL	CATALYTIC CONVERTER NOT INCLUDED
Y.014.K3 Y.014.K4 Y.014.KX1	CARBONIO / CARBON FIBERTITANIO / TITANIUMINOX / ST. STEEL	INOX / ST. STEEL	INOX / ST. STEEL	CATALYTIC CONVERTER INCLUDED

ELENCO PARTI / PARTS LIST

#	QTÀ / QTY	DESCRIZIONE / DESCRIPTION	CODICE / CODE
1	2	DB killer / DB killer	50.DK.021.0
2	2	Silenziatore / Muffler	OVAL
3	2	Protezione in gomma / Rubber protection	50.73.077.1
4	2	Staffa / Bracket	50.SS.030.0
5	2	Dado M8 flangiato / Flanged nut M8	50.73.052.1
6	2	Distanziale in alluminio / Aluminium spacer (Øe.30 Øi.8,5 h.20)	50.SS.056.1
7	2	Rondella in alluminio / Aluminium washer	50.73.063.1
8	2	Vite M8x50 / Screw M8x50	50.73.074.1
9	1	Tubo di raccordo sinistro / Left link pipe	9773Y014S2SX
10	2	Fascetta Ø 40/43 mm / Pipe clamp Ø 40/43 mm	50.FA.005.1
11	1	Tubo di raccordo destro / Right link pipe	9773Y014S2DX
12	2	Tubo in gomma per molla / Rubber pipe for spring	50.73.210.1
13	2	Molla lunga / Long spring	50.71.080.1