



**MODEL** KTM SX-F 450

**YEAR** 2009-2010

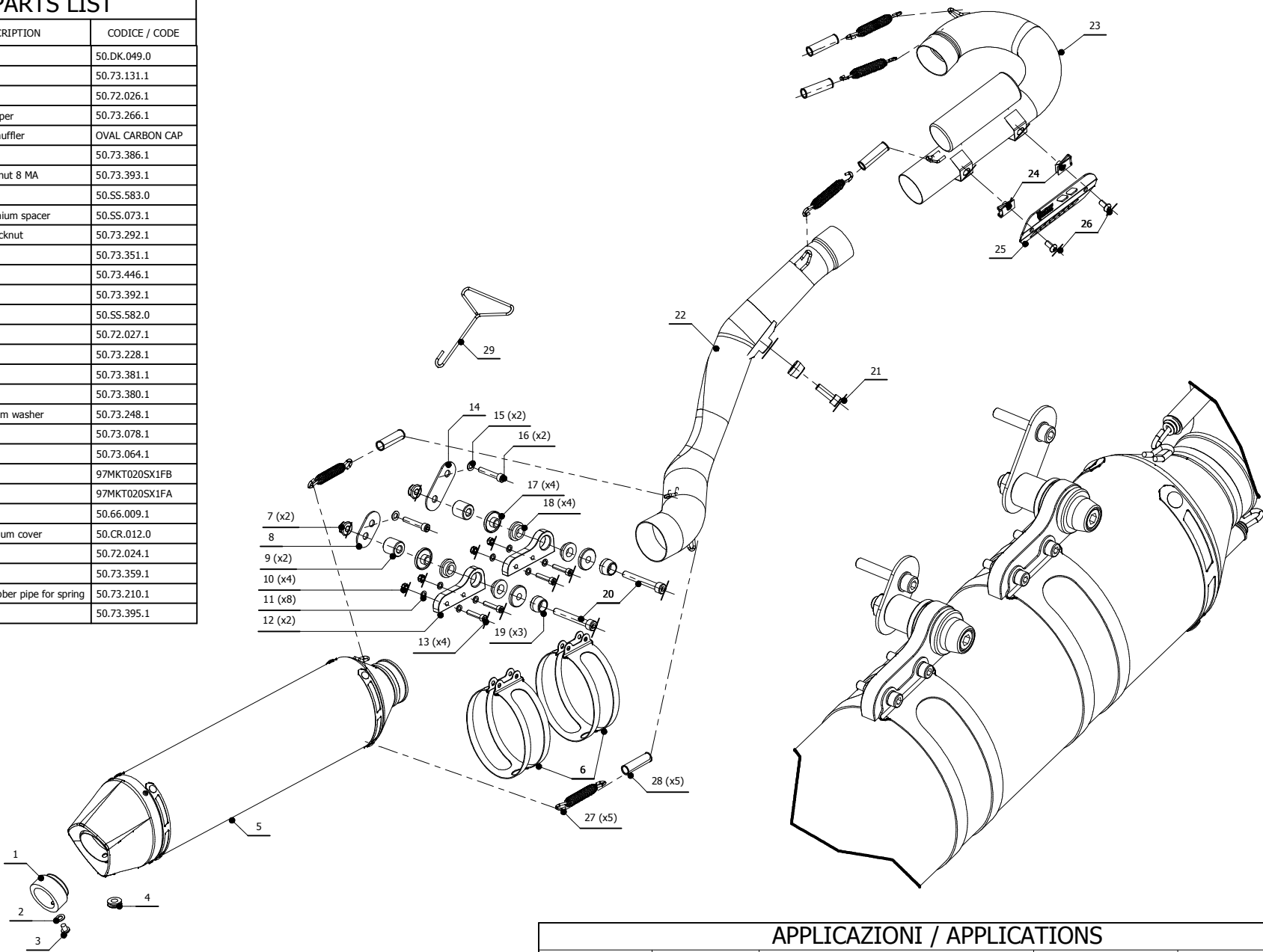
**LINE** STRONGER *Cross*

**MUFFLER** OVAL STEEL CARBON CAP

**SCHEMATIC**

**ELENCO PARTI / PARTS LIST**

#	QTÀ / QTY	DESCRIZIONE / DESCRIPTION	CODICE / CODE
1	1	DB killer / DB killer	50.DK.049.0
2	1	Rondella M6 / Washer M6	50.73.131.1
3	1	Vite M6 x 8 / Screw M6 x 8	50.72.026.1
4	1	Tappo in gomma / Rubber stopper	50.73.266.1
5	1	Silenziatore INOX / ST.STEEL muffler	OVAL CARBON CAP
6	2	Staffa / Bracket	50.73.386.1
7	2	Dado 8 MA flangiato / Flanged nut 8 MA	50.73.393.1
8	1	Staffa / Bracket	50.SS.583.0
9	2	Distanziale in alluminio / Aluminium spacer	50.SS.073.1
10	4	Dado M5 autobloccante / M5 locknut	50.73.292.1
11	8	Rondella M5 / Washer M5	50.73.351.1
12	2	Staffa / bracket	50.73.446.1
13	4	Vite M5 x 25 / Screw M5 x 25	50.73.392.1
14	1	Staffa / Bracket	50.SS.582.0
15	2	Rondella M6 / Washer M6	50.72.027.1
16	2	Vite M6x35 / Screw M6x35	50.73.228.1
17	4	Boccola / Bush	50.73.381.1
18	4	Silentblock / Silentblock	50.73.380.1
19	3	Rondella in alluminio / Aluminium washer	50.73.248.1
20	2	Vite M8x60 / Screw M8x60	50.73.078.1
21	1	Vite M8x25 / Screw M8x25	50.73.064.1
22	1	Tubo di raccordo / Link pipe	97MKT020SX1FB
23	1	Tubo di raccordo / Link pipe	97MKT020SX1FA
24	2	Dado rapido / Cage nut	50.66.009.1
25	1	Copertura in alluminio / Aluminium cover	50.CR.012.0
26	2	Vite M6 x 12 / Screw M6 x 12	50.72.024.1
27	5	Molla media / Middle spring	50.73.359.1
28	5	Tubo in gomma per molla / Rubber pipe for spring	50.73.210.1
29	1	Tiramolla / Spring hook	50.73.395.1



**APPLICAZIONI / APPLICATIONS**

CODICE / CODE	TUBO / PIPE	SILENZIATORE / MUFFLER	FASCETTA / CLAMP	CARTER / COVER
M.KT.020.SXC.F	INOX / ST.STEEL	INOX (COPPA CARBONIO) / ST. STEEL (CARBON CAP)	INOX / ST.STEEL	ALLUMINIO / ALUMINIUM