



**MODEL** KTM 250 EXC F

**YEAR** 2012

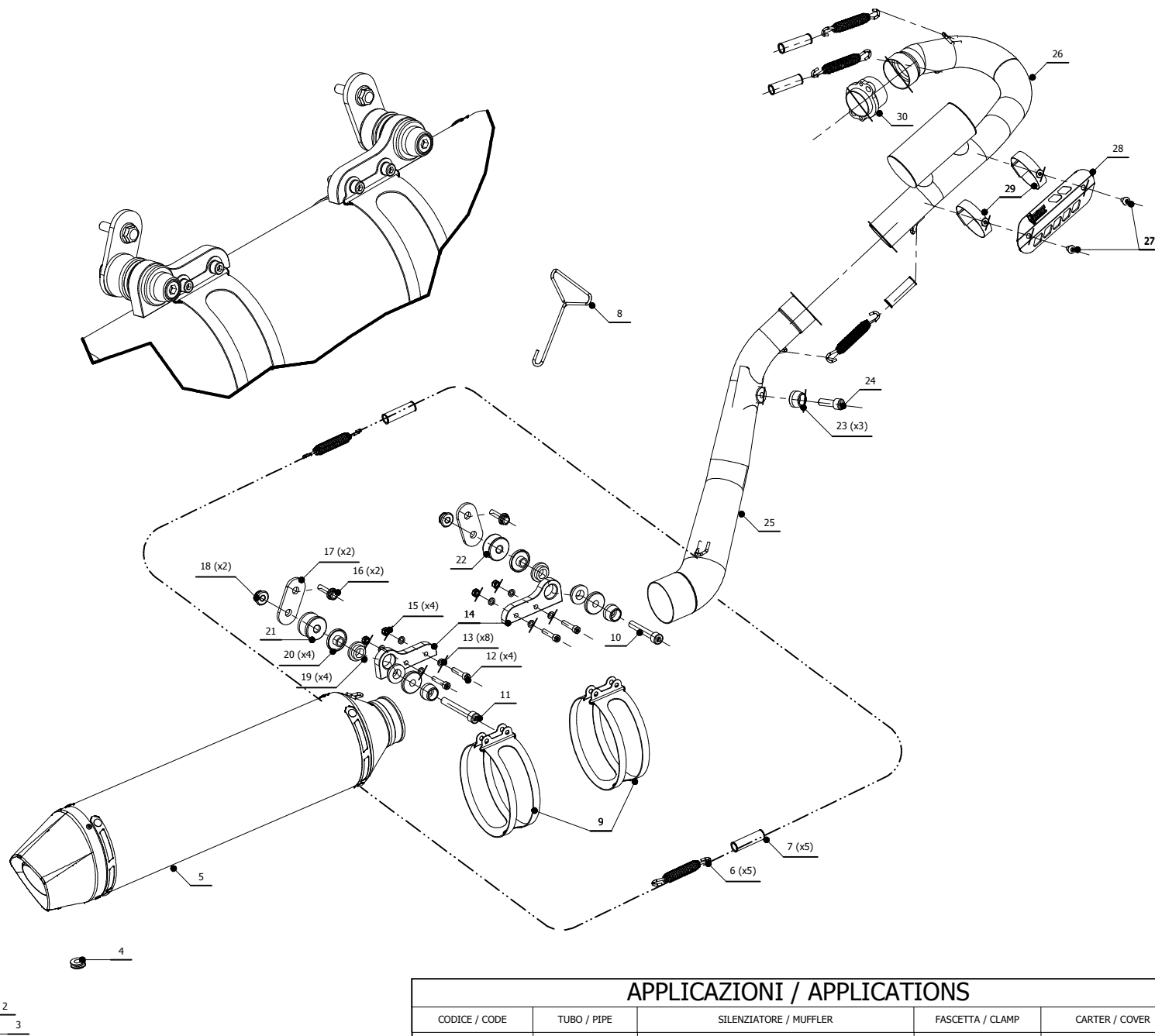
**LINE** STRONGER *Enduro*

**MUFFLER** OVAL STEEL CARBON CAP

**SCHEMATIC**

**ELENCO PARTI / PARTS LIST**

#	QTÀ / QTY	DESCRIZIONE / DESCRIPTION	CODICE / CODE
1	1	DB killer / DB killer	50.DK.069.0
2	1	Rondella M6 / Washer M6	50.73.131.1
3	1	Vite M6 x 8 / Screw M6 x 8	50.72.026.1
4	1	Tappo in gomma / Rubber stopper	50.73.266.1
5	1	Silenziatore INOX / ST. STEEL muffler	OVAL CARBON CAP
6	5	Molla media / Middle spring	50.73.359.1
7	5	Gommino per molla / Rubber for spring	50.73.210.1
8	1	Tiramolla / Spring hook	50.73.395.1
9	2	Staffa / Bracket	50.73.386.1
10	1	Vite M8x50 / Screw M8x50	50.73.074.1
11	1	Vite M8x60 / Screw M8x60	50.73.078.1
12	4	Vite M5 x 25 / Screw M5 x 25	50.73.392.1
13	8	Rondella M5 / Washer M5	50.73.351.1
14	2	Staffa / bracket	50.73.446.1
15	4	Dado M5 autobloccante / M5 locknut	50.73.292.1
16	2	Vite M6x25 / Screw M6x25	50.73.421.1
17	2	Staffa / Bracket	50.SS.657.0
18	2	Dado 8 MA flangiato / Flanged nut 8 MA	50.73.393.1
19	4	Silentblock / Silentblock	50.73.380.1
20	4	Boccola / Bush	50.73.381.1
21	1	Distanziale in alluminio / Aluminium spacer (20mm)	50.SS.056.1
22	1	Distanziale in alluminio / Aluminium spacer (15mm)	50.SS.454.1
23	3	Rondella in alluminio / Aluminium washer	50.73.248.1
24	1	Vite M8x25 / Screw M8x25	50.73.064.1
25	1	Tubo di raccordo / Link pipe	97MKT025LX1FB
26	1	Tubo di raccordo / Link pipe	97MKT025LX1FA
27	2	Vite M5 x 8 / Screw M5 x 8	50.73.459.1
28	1	Copertura in alluminio / Aluminium cover	50.CR.012.0
29	2	Fascetta con bussola / Pipe clamp with bush	50.73.466.0
30	1	Boccola-flangia / Bush-flange	50.73.533.0



**APPLICAZIONI / APPLICATIONS**

CODICE / CODE	TUBO / PIPE	SILENZIATORE / MUFFLER	FASCETTA / CLAMP	CARTER / COVER
M_KT_025_LXC_F	INOX / ST. STEEL	INOX (COPPA CARBONIO) / ST. STEEL (CARBON CAP)	INOX / ST. STEEL	ALLUMINIO / ALUMINIUM