



MODEL KTM 790 ADVENTURE

YEAR 2019 -->

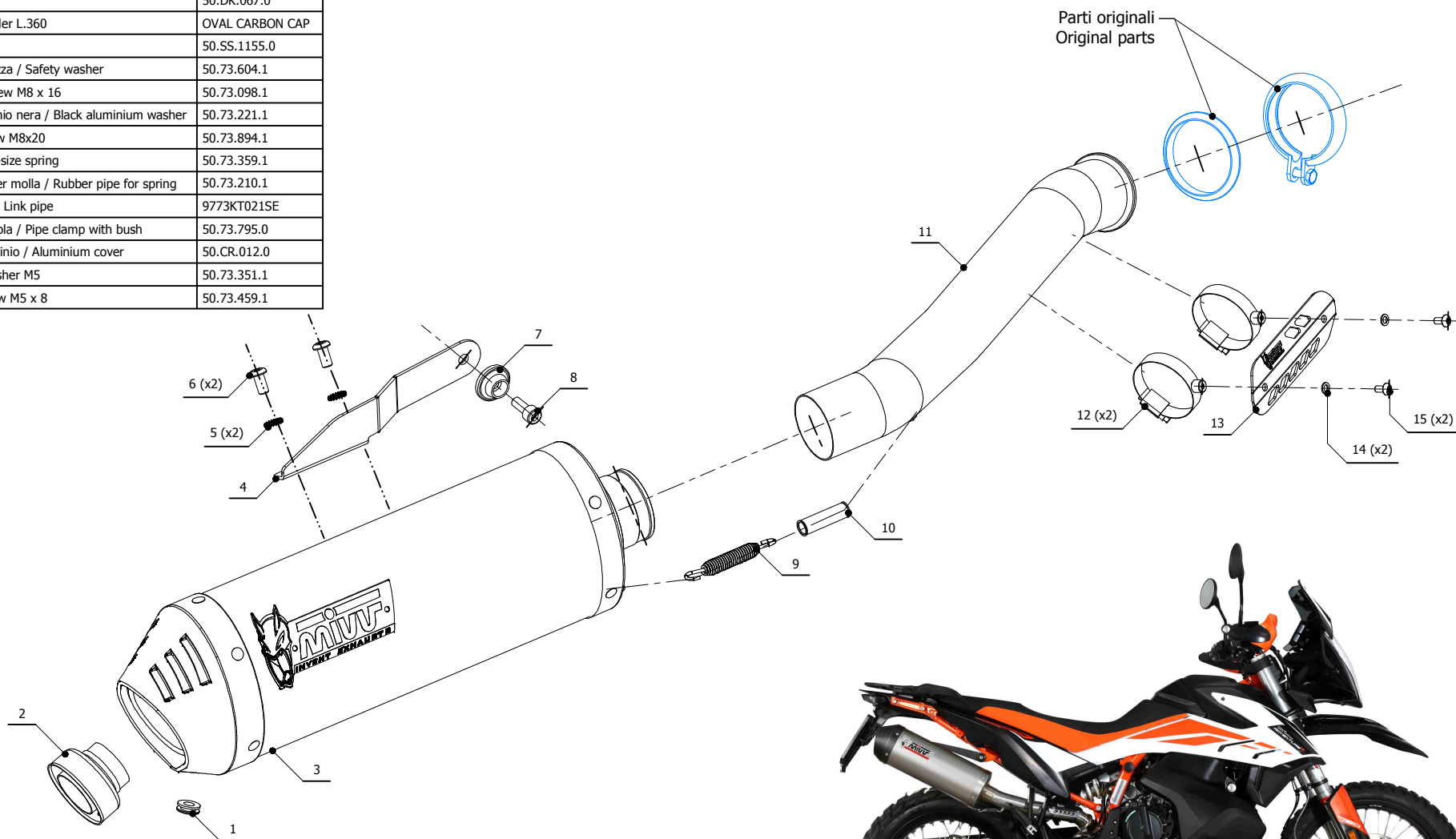
LINE SLIP ON

MUFFLER OVAL CARBON CAP

SCHEMATIC

ELENCO PARTI / PARTS LIST

#	QTÀ / QTY	DESCRIZIONE / DESCRIPTION	CODICE / CODE
1	1	Tappo in gomma / Rubber stopper	50.73.266.1
2	1	DB killer / DB killer	50.DK.067.0
3	1	Silenziatore / Muffler L.360	OVAL CARBON CAP
4	1	Staffa / Bracket	50.SS.1155.0
5	2	Rondella di sicurezza / Safety washer	50.73.604.1
6	2	Vite M8 x 16 / Screw M8 x 16	50.73.098.1
7	1	Rondella in alluminio nera / Black aluminium washer	50.73.221.1
8	1	Vite M8x20 / Screw M8x20	50.73.894.1
9	1	Molla media / Mid-size spring	50.73.359.1
10	1	Tubo in gomma per molla / Rubber pipe for spring	50.73.210.1
11	1	Tubo di raccordo / Link pipe	9773KT021SE
12	2	Fascetta con bussola / Pipe clamp with bush	50.73.795.0
13	1	Copertura in alluminio / Aluminium cover	50.CR.012.0
14	2	Rondella M5 / Washer M5	50.73.351.1
15	2	Vite M5 x 8 / Screw M5 x 8	50.73.459.1



APPLICAZIONI / APPLICATIONS

CODICE / CODE	SILENZIATORE / MUFFLER	TUBO / PIPE	FASCETTA / CLAMP
KT.021.LEC	CARBONIO (COPPA CARBONIO) / CARBON (CARBON CAP)	INOX / ST.STEEL	///
KT.021.LNC	TITANIO (COPPA CARBONIO) / TITANIUM (CARBON CAP)		

