



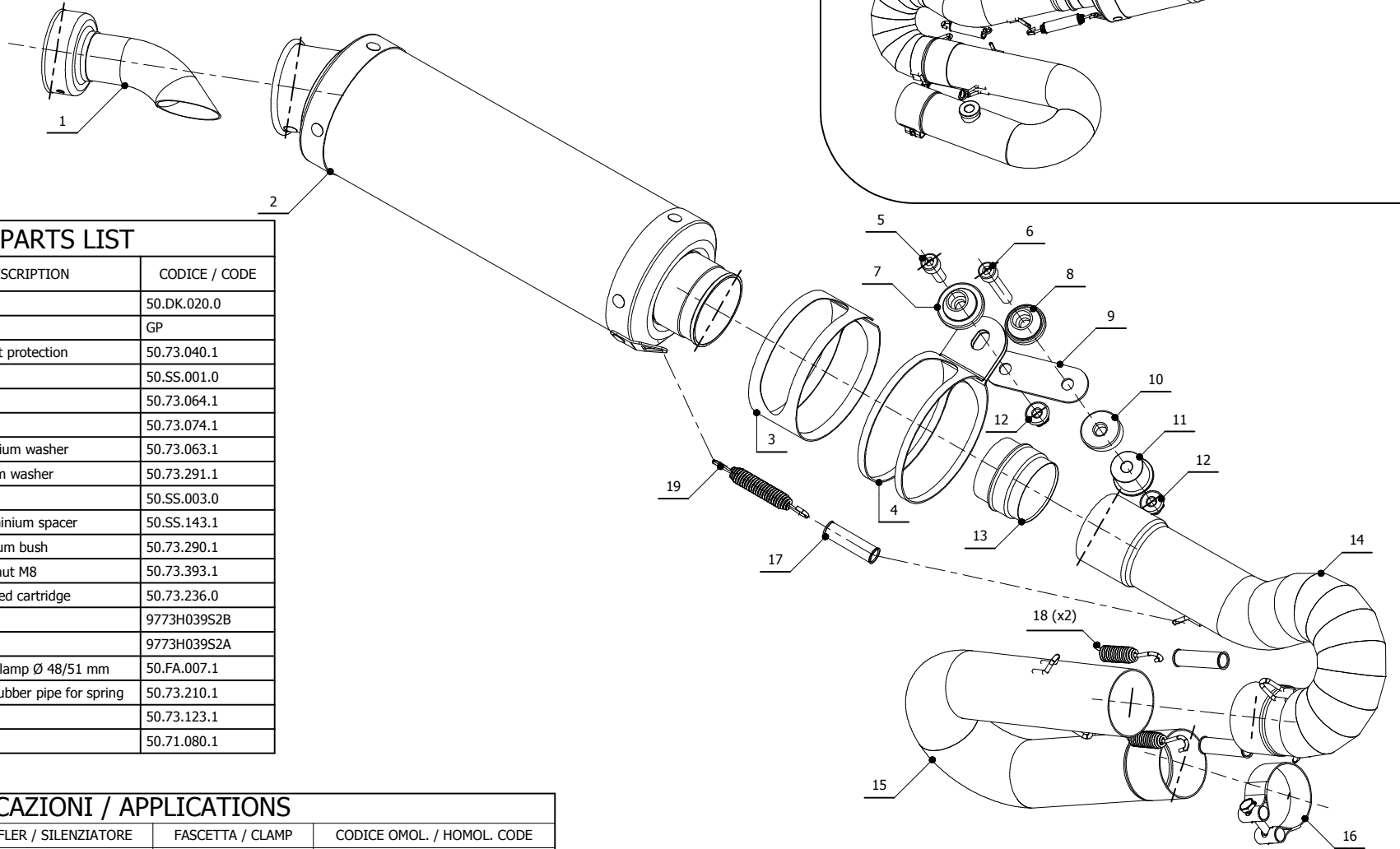
MODEL HONDA CBR1000 RR

YEAR 2008-2013

LINE SPORT

MUFFLER GP KAT

SCHEMATIC



ELENCO PARTI / PARTS LIST

| # | QTÀ / QTY | DESCRIZIONE / DESCRIPTION | CODICE / CODE |
|----|-----------|--|---------------|
| 1 | 1 | DB killer / DB killer | 50.DK.020.0 |
| 2 | 1 | Silenziatore / Muffler | GP |
| 3 | 1 | Protezione per staffa / Bracket protection | 50.73.040.1 |
| 4 | 1 | Staffa / Bracket | 50.SS.001.0 |
| 5 | 1 | Vite M8x25 / Screw M8x25 | 50.73.064.1 |
| 6 | 1 | Vite M8x50 / Screw M8x50 | 50.73.074.1 |
| 7 | 1 | Rondella in alluminio / Aluminium washer | 50.73.063.1 |
| 8 | 1 | Rondella alluminio / Aluminium washer | 50.73.291.1 |
| 9 | 1 | Staffa / Bracket | 50.SS.003.0 |
| 10 | 1 | Distanziale in alluminio / Aluminium spacer | 50.SS.143.1 |
| 11 | 1 | Bussola in alluminio / Aluminium bush | 50.73.290.1 |
| 12 | 2 | Dado M8 flangiato / Flanged nut M8 | 50.73.393.1 |
| 13 | 1 | Cartuccia catalizzata / Catalyzed cartridge | 50.73.236.0 |
| 14 | 1 | Tubo di raccordo / Link pipe | 9773H039S2B |
| 15 | 1 | Tubo di raccordo / Link pipe | 9773H039S2A |
| 16 | 1 | Fascetta Ø 48/51 mm / Pipe clamp Ø 48/51 mm | 50.FA.007.1 |
| 17 | 3 | Tubo in gomma per molla / Rubber pipe for spring | 50.73.210.1 |
| 18 | 2 | Molla corta / Short Spring | 50.73.123.1 |
| 19 | 1 | Molla lunga / Long spring | 50.71.080.1 |

APPLICAZIONI / APPLICATIONS

| CODICE / CODE | TUBO / PIPE | MUFFLER / SILENZIATORE | FASCETTA / CLAMP | CODICE OMOL. / HOMOL. CODE |
|---------------|------------------|-------------------------|------------------|--------------------------------|
| H.039.K2S | INOX / ST. STEEL | CARBONIO / CARBON FIBER | INOX / ST. STEEL | ME047 e9 1356 ME050 e3 1001 |
| H.039.K6S | INOX / ST. STEEL | TITANIO / TITANIUM | INOX / ST. STEEL | ME047 e9 1356 ME050 e3 1001 |
| H.039.KXB | INOX / ST. STEEL | STEEL BLACK | INOX / ST. STEEL | ME047 e9 1356 ME050 e3 1001 |