



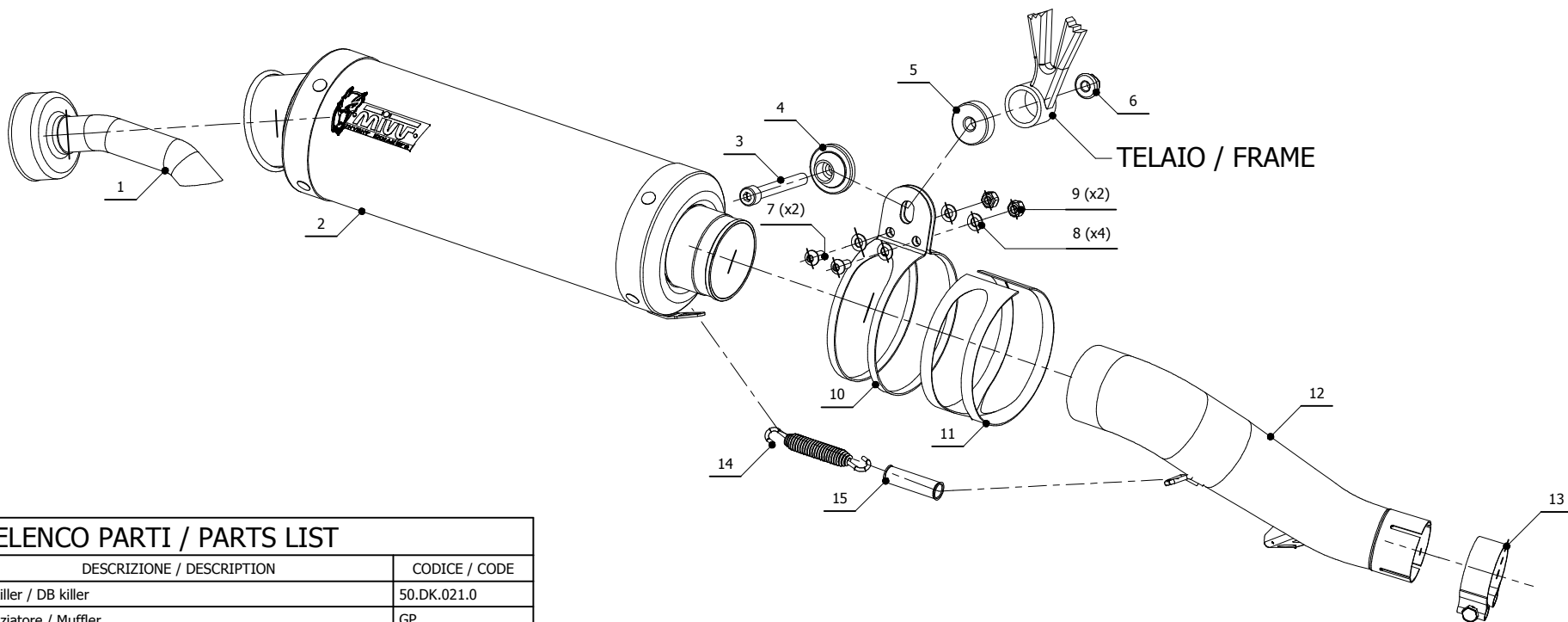
MODEL HONDA CB 500 F

YEAR 2016

LINE SLIP ON

MUFFLER GP

SCHEMATIC



ELENCO PARTI / PARTS LIST

#	QTÀ / QTY	DESCRIZIONE / DESCRIPTION	CODICE / CODE
1	1	DB killer / DB killer	50.DK.021.0
2	1	Silenziatore / Muffler	GP
3	1	Vite M8x65 / Screw M8x65	50.73.603.1
4	1	Rondella in alluminio / Aluminium washer	50.73.063.1
5	1	Distanziale in alluminio / Aluminium spacer (Øe.30 Øi.8,5 h.10)	50.SS.645.1
6	1	Dado M8 flangiato / Flanged nut M8	50.73.393.1
7	2	Vite M6 x 12 / Screw M6 x 12	50.72.024.1
8	4	Rondella M6 / Washer M6	50.72.027.1
9	2	Dado M6 / Nut M6	50.73.146.1
10	1	Staffa / Bracket	50.SS.241.1
11	1	Protezione in gomma per staffa / Rubber protection for bracket	50.73.077.1
12	1	Tubo di raccordo / Link pipe	9773H062S2
13	1	Fascetta Ø 44/47 mm / Pipe clamp Ø 44/47 mm	50.FA.006.1
14	1	Molla media / Middle spring	50.73.359.1
15	1	Tubo in gomma per molla / Rubber pipe for spring	50.73.210.1

APPLICAZIONI / APPLICATIONS

CODICE / CODE	TUBO / PIPE	SILENZIATORE / MUFFLER	FASCETTA / CLAMP
H.062.L2S H.062.L6S H.062.LXB	INOX / ST. STEEL	CARBONIO / CARBON FIBER TITANIO / TITANIUM STEEL BLACK	INOX / ST. STEEL

