



MODEL TRIUMPH TIGER

YEAR 2007-->

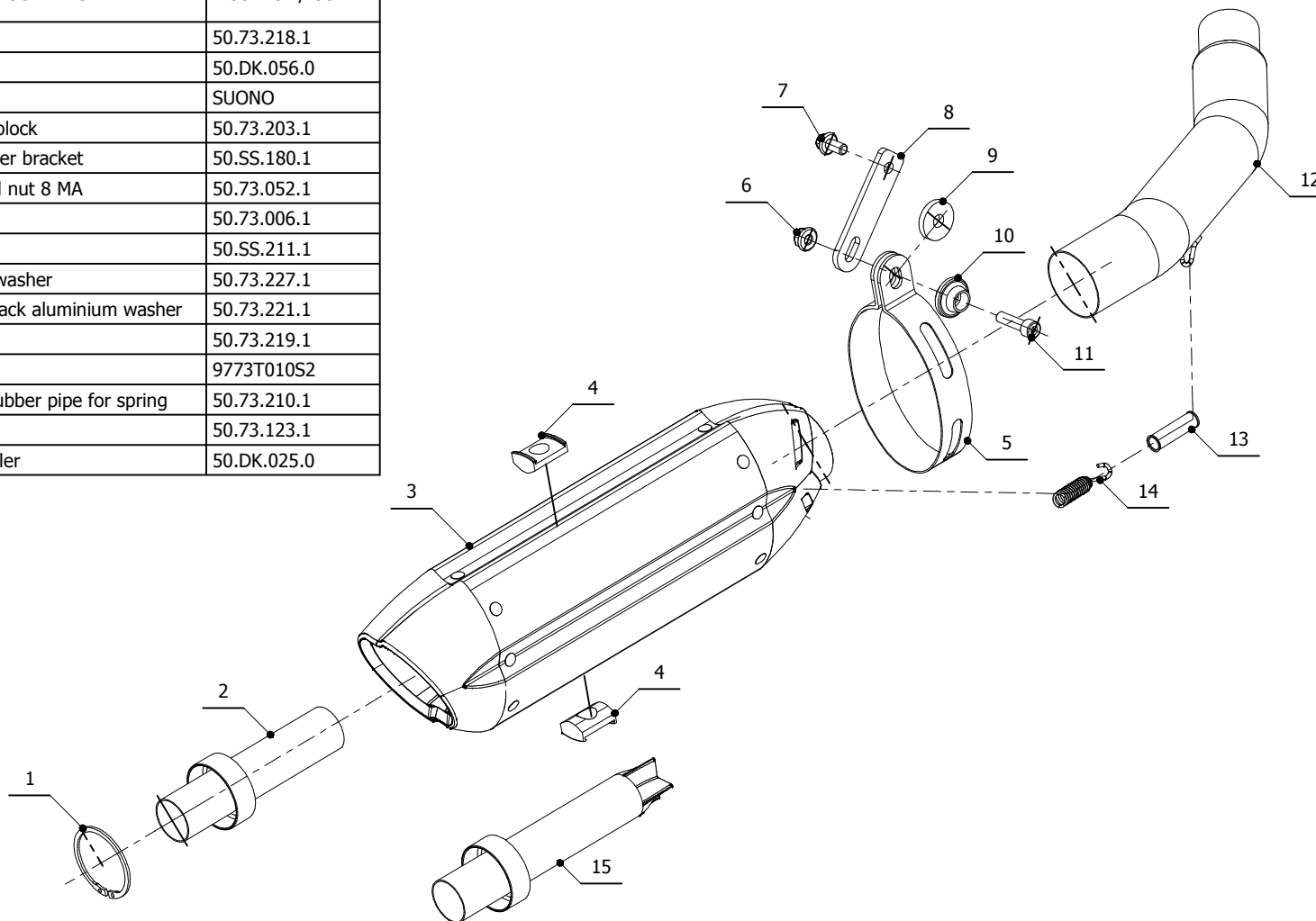
LINE SPORT

MUFFLER SUONO

SCHEMATIC

ELENCO PARTI / PARTS LIST

#	QTÀ / QTY	DESCRIZIONE / DESCRIPTION	CODICE / CODE
1	1	Anello Seger / Seger ring	50.73.218.1
2	1	DB killer / DB killer	50.DK.056.0
3	1	Silenziatore / Muffler	SUONO
4	2	Tassello grande / Rubber big block	50.73.203.1
5	1	Staffa in carbonio / Carbon fiber bracket	50.SS.180.1
6	1	Dado 8 MA flangiato / Flanged nut 8 MA	50.73.052.1
7	1	Vite M8x16 / Screw M8x16	50.73.006.1
8	1	Staffa / Bracket	50.SS.211.1
9	1	Rondella in gomma / Rubber washer	50.73.227.1
10	1	Rondella in alluminio nera / Black aluminium washer	50.73.221.1
11	1	Vite M8x30 / Screw M8x30	50.73.219.1
12	1	Tubo di raccordo / Link pipe	9773T010S2
13	1	Tubo in gomma per molla / Rubber pipe for spring	50.73.210.1
14	1	Molla corta / Short Spring	50.73.123.1
15	1	Db Killer forato / Drilled DB killer	50.DK.025.0



APPLICAZIONI / APPLICATIONS

CODICE / CODE	TUBO / PIPE	SILENZIATORE / MUFFLER	FASCETTA / CLAMP	CODICE OMOL. / HOMOL. CODE
T.010.L7	INOX / ST. STEEL	INOX (COPPE CARBONIO) / ST. STEEL (CARBON CAPS)	CARBONIO / CARBON FIBER	ME002 e9 1177
T.010.L9	INOX / ST. STEEL	CARBONIO (COPPE CARBONIO) / CARBON (CARBON CAPS)	CARBONIO / CARBON FIBER	ME002 e9 1177