



MODEL HONDA XL 650 V TRANSALP

YEAR 2005-2007

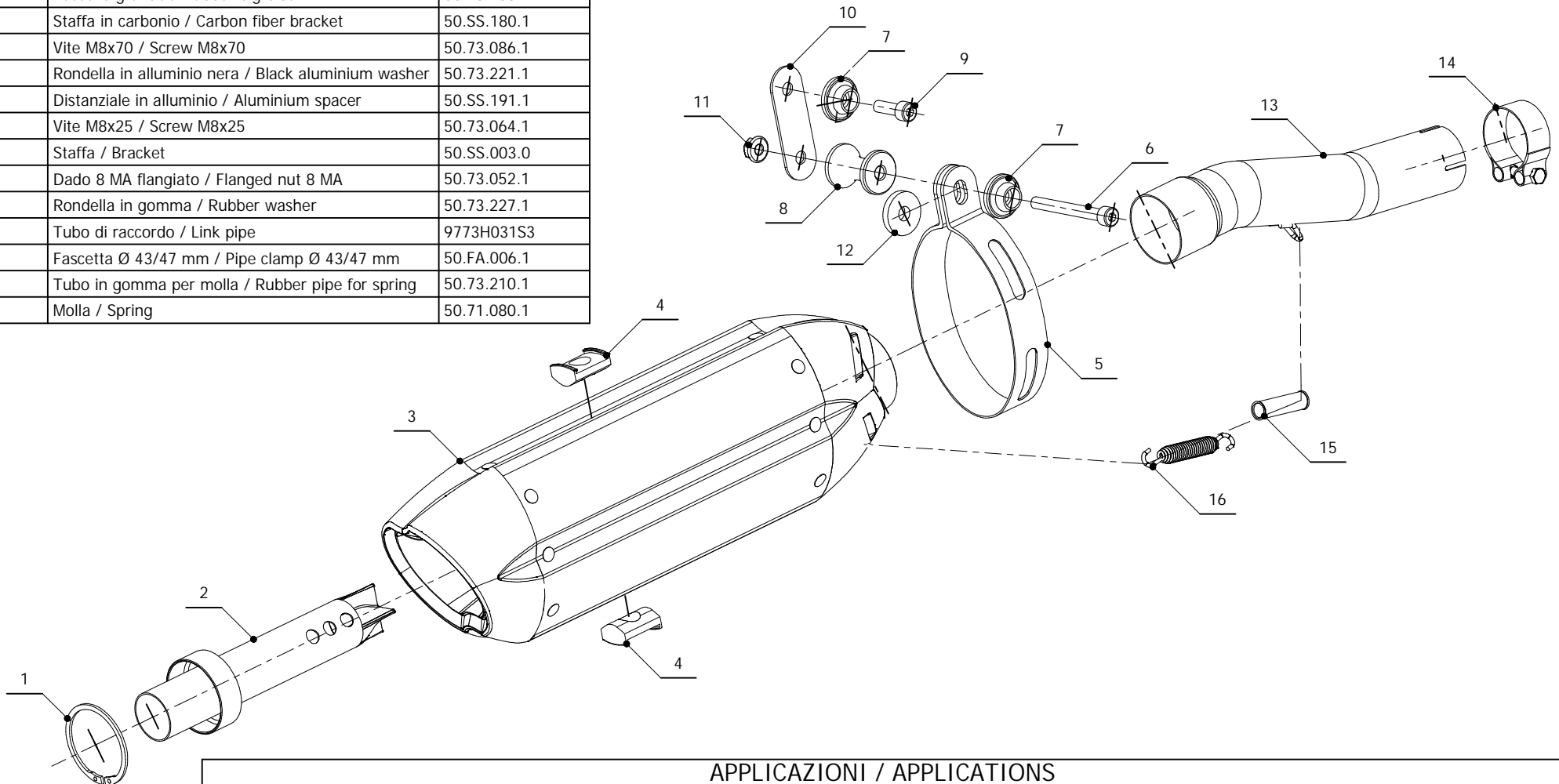
LINE SPORT

MUFFLER SUONO

SCHEMATIC

ELENCO PARTI / PARTS LIST

#	QTA / QTY	DESCRIZIONE / DESCRIPTION	CODICE / CODE
1	1	Anello Seger / Seger ring	50.73.218.1
2	1	DB killer / DB killer	50.DK.024.0
3	1	Silenziatore / Muffler	SUONO
4	2	Tassello grande / Rubber big block	50.73.203.1
5	1	Staffa in carbonio / Carbon fiber bracket	50.SS.180.1
6	1	Vite M8x70 / Screw M8x70	50.73.086.1
7	2	Rondella in alluminio nera / Black aluminium washer	50.73.221.1
8	1	Distanziale in alluminio / Aluminium spacer	50.SS.191.1
9	1	Vite M8x25 / Screw M8x25	50.73.064.1
10	1	Staffa / Bracket	50.SS.003.0
11	1	Dado 8 MA flangiato / Flanged nut 8 MA	50.73.052.1
12	1	Rondella in gomma / Rubber washer	50.73.227.1
13	1	Tubo di raccordo / Link pipe	9773H031S3
14	1	Fascetta Ø 43/47 mm / Pipe clamp Ø 43/47 mm	50.FA.006.1
15	1	Tubo in gomma per molla / Rubber pipe for spring	50.73.210.1
16	1	Molla / Spring	50.71.080.1



APPLICAZIONI / APPLICATIONS

CODICE / CODE	TUBO / PIPE	SILENZIATORE / MUFFLER	FASCETTA / CLAMP	CODICE OMOL. / HOMOL. CODE
H.031.L7	INOX / ST. STEEL	INOX (COPPE CARBONIO) / ST. STEEL (CARBON CAPS)	CARBONIO / CARBON FIBER	ME032 e9 1287
H.031.L9	INOX / ST. STEEL	CARBONIO (COPPE CARBONIO) / CARBON (CARBON CAPS)	CARBONIO / CARBON FIBER	ME032 e9 1287