



MODEL DUCATI HYPERMOTARD 1100

YEAR 2007-->

LINE SPORT

MUFFLER SUONO

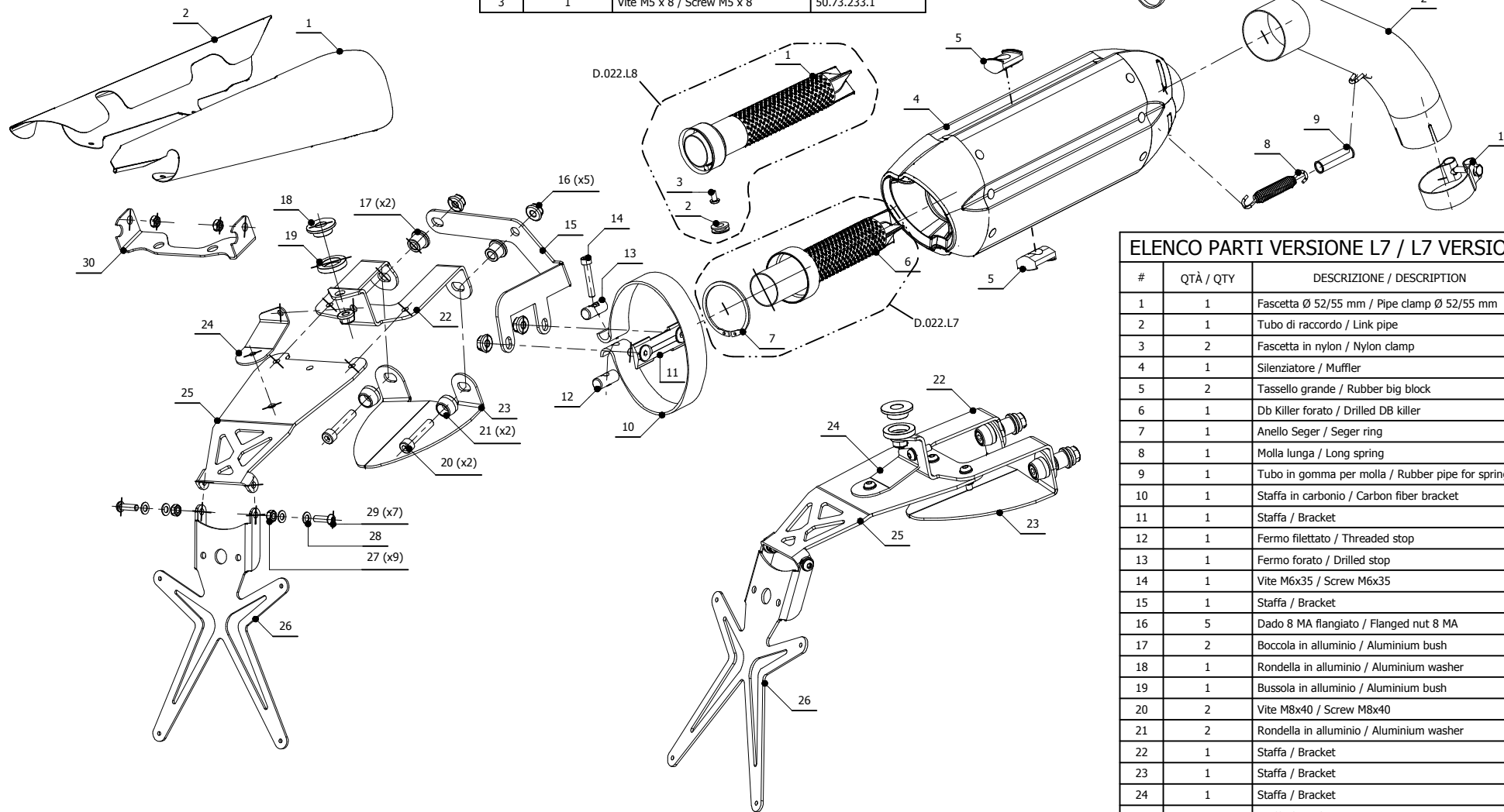
SCHEMATIC

PARTI OPZIONALI / OPTIONAL PARTS

DB KILLER VERSIONE L8 / L8 VERSION DB KILL

| # | QTÀ / QTY | DESCRIZIONE / DESCRIPTION | CODICE / CODE |
|---|-----------|--|---------------|
| 1 | 1 | Copertura sinistra in carbonio / Left carbon cover | 50.CR.009.SX |
| 2 | 1 | Copertura destra in carbonio / Right carbon cover | 50.CR.009.DX |

| # | QTÀ / QTY | DESCRIZIONE / DESCRIPTION | CODICE / CODE |
|---|-----------|--------------------------------------|---------------|
| 1 | 1 | Db Killer forato / Drilled DB killer | 50.DK.038.0 |
| 2 | 1 | Tappo in gomma / Rubber stopper | 50.73.266.1 |
| 3 | 1 | Vite M5 x 8 / Screw M5 x 8 | 50.73.233.1 |



ELENCO PARTI VERSIONE L7 / L7 VERSION PARTS LIST

| # | QTÀ / QTY | DESCRIZIONE / DESCRIPTION | CODICE / CODE |
|----|-----------|--|---------------|
| 1 | 1 | Fascetta Ø 52/55 mm / Pipe clamp Ø 52/55 mm | 50.FA.008.1 |
| 2 | 1 | Tubo di raccordo / Link pipe | 9773D022S2 |
| 3 | 2 | Fascetta in nylon / Nylon clamp | 50.73.360.1 |
| 4 | 1 | Silenziatore / Muffler | SUONO |
| 5 | 2 | Tassello grande / Rubber big block | 50.73.203.1 |
| 6 | 1 | Db Killer forato / Drilled DB killer | 50.DK.025.0 |
| 7 | 1 | Anello Seger / Seger ring | 50.73.218.1 |
| 8 | 1 | Molla lunga / Long spring | 50.71.080.1 |
| 9 | 1 | Tubo in gomma per molla / Rubber pipe for spring | 50.73.210.1 |
| 10 | 1 | Staffa in carbonio / Carbon fiber bracket | 50.SS.252.1 |
| 11 | 1 | Staffa / Bracket | 50.SS.253.0 |
| 12 | 1 | Fermo filettato / Threaded stop | 50.73.213.1 |
| 13 | 1 | Fermo forato / Drilled stop | 50.73.214.1 |
| 14 | 1 | Vite M6x35 / Screw M6x35 | 50.73.228.1 |
| 15 | 1 | Staffa / Bracket | 50.SS.456.1 |
| 16 | 5 | Dado 8 MA flangiato / Flanged nut 8 MA | 50.73.052.1 |
| 17 | 2 | Boccola in alluminio / Aluminium bush | 50.73.397.1 |
| 18 | 1 | Rondella in alluminio / Aluminium washer | 50.73.251.1 |
| 19 | 1 | Bussola in alluminio / Aluminium bush | 50.73.252.1 |
| 20 | 2 | Vite M8x40 / Screw M8x40 | 50.73.075.1 |
| 21 | 2 | Rondella in alluminio / Aluminium washer | 50.73.248.1 |
| 22 | 1 | Staffa / Bracket | 50.SS.457.A |
| 23 | 1 | Staffa / Bracket | 50.SS.457.E |
| 24 | 1 | Staffa / Bracket | 50.SS.457.C |
| 25 | 1 | Staffa / Bracket | 50.SS.457.B |
| 26 | 1 | Staffa / Bracket | 50.SS.457.D |
| 27 | 9 | Dado M6 autobloccante / M6 locknut | 50.73.112.1 |
| 28 | 14 | Rondella M6 / Washer M6 | 50.72.027.1 |
| 29 | 7 | Vite M6 x 20 / Screw M6 x 20 | 50.73.422.1 |
| 30 | 1 | Staffa porta frecce / Direction indicators bracket | 50.SS.270.1 |

APPLICAZIONI / APPLICATIONS

| CODICE / CODE | TUBO / PIPE | SILENZIATORE / MUFFLER | FASCETTA / CLAMP | CODICE OMOL. / HOMOL. CODE |
|---------------|--------------------|---|-------------------------|----------------------------|
| D.022.L7 | INOX / ST. STEEL | INOX (COPPE CARBONIO) / ST. STEEL (CARBON CAPS) | CARBONIO / CARBON FIBER | ME038 E9 1306 |
| D.022.L8 | TITANIO / TITANIUM | TITANIO (COPPE CARBONIO) / TITANIUM (CARBON CAPS) | CARBONIO / CARBON FIBER | ME038 E9 1306 |