



MODEL KAWASAKI ZX-10 R

YEAR 2011-->

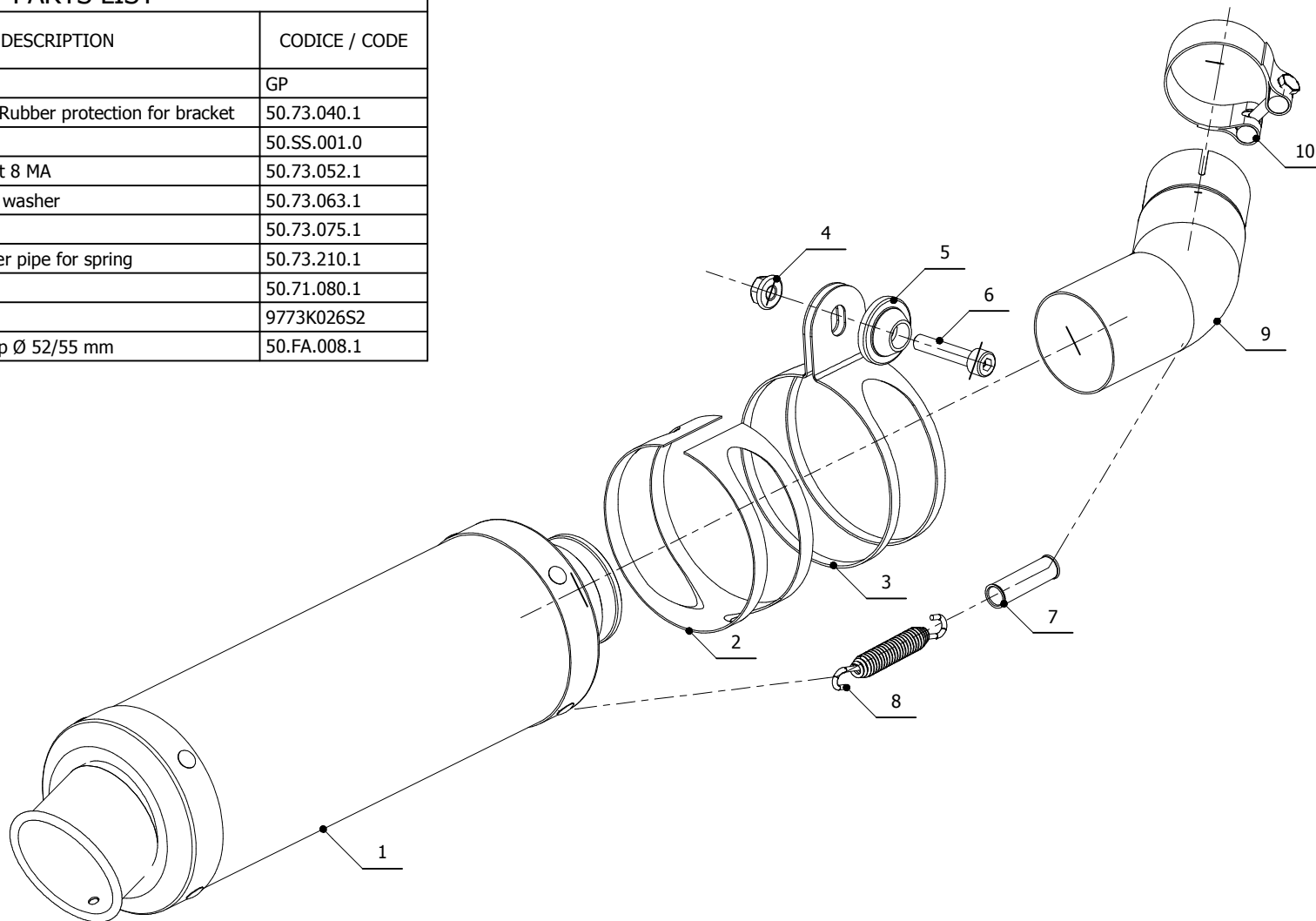
LINE SPORT

MUFFLER GP

SCHEMATIC

ELENCO PARTI / PARTS LIST

| # | QTÀ / QTY | DESCRIZIONE / DESCRIPTION | CODICE / CODE |
|----|-----------|--|---------------|
| 1 | 1 | Silenziatore / Muffler | GP |
| 2 | 1 | Protezione in gomma per staffa / Rubber protection for bracket | 50.73.040.1 |
| 3 | 1 | Staffa / Bracket | 50.SS.001.0 |
| 4 | 1 | Dado 8 MA flangiato / Flanged nut 8 MA | 50.73.052.1 |
| 5 | 1 | Rondella in alluminio / Aluminium washer | 50.73.063.1 |
| 6 | 1 | Vite M8x40 / Screw M8x40 | 50.73.075.1 |
| 7 | 1 | Tubo in gomma per molla / Rubber pipe for spring | 50.73.210.1 |
| 8 | 1 | Molla lunga / Long spring | 50.71.080.1 |
| 9 | 1 | Tubo di raccordo / Link pipe | 9773K026S2 |
| 10 | 1 | Fascetta Ø 52/55 mm / Pipe clamp Ø 52/55 mm | 50.FA.008.1 |



APPLICAZIONI / APPLICATIONS

| CODICE / CODE | TUBO / PIPE | MUFFLER / SILENZIATORE | FASCETTA / CLAMP | CODICE OMOL. / HOMOL. CODE |
|---------------|------------------|-------------------------|------------------|----------------------------|
| K.026.L2S | INOX / ST. STEEL | CARBONIO / CARBON FIBER | INOX / ST. STEEL | ME008 e9 1176 |
| K.026.L6S | INOX / ST. STEEL | TITANIO / TITANIUM | INOX / ST. STEEL | ME008 e9 1176 |