



MODEL SUZUKI GSX-R 600/750

YEAR 2008-2010

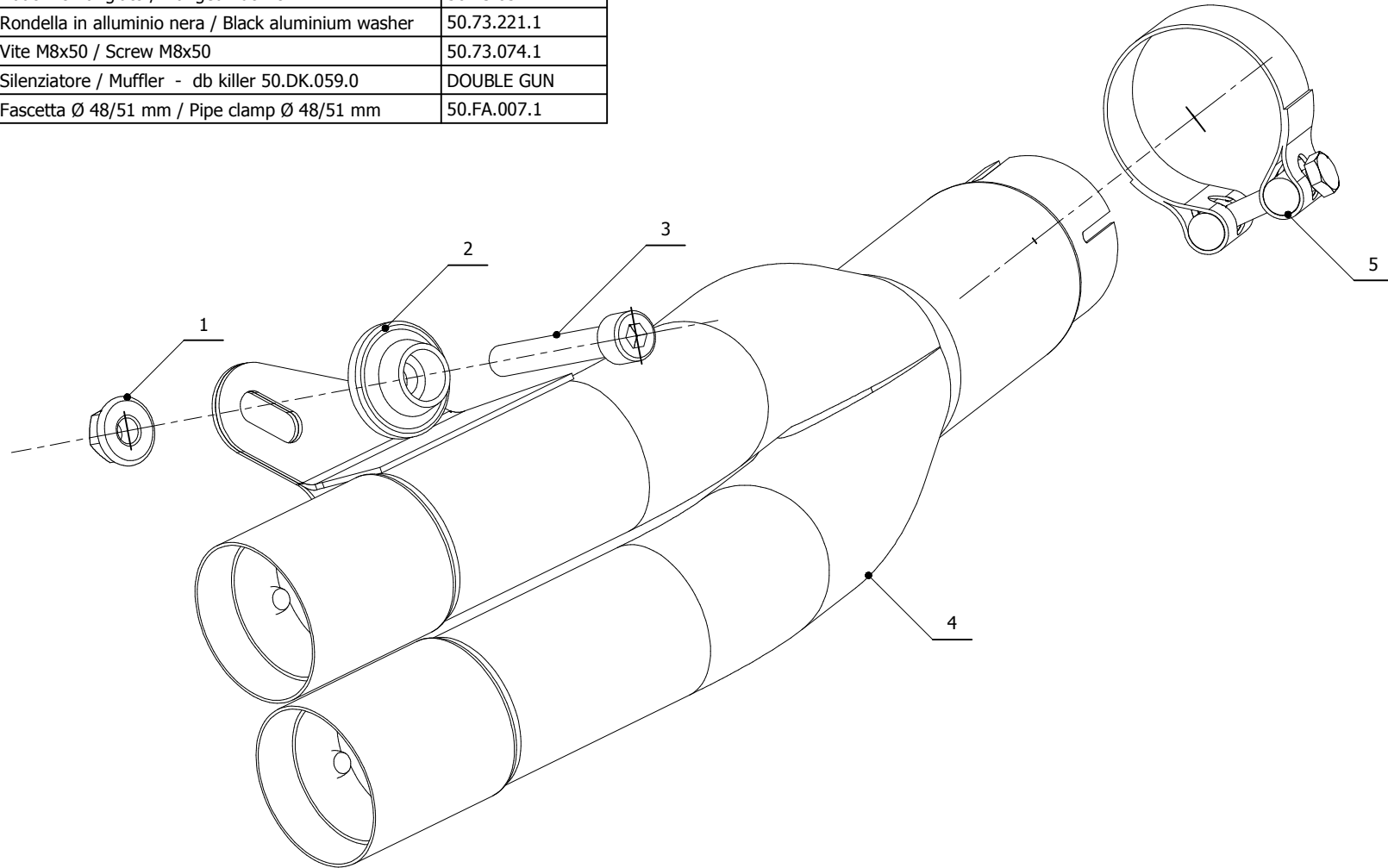
LINE SLIP ON

MUFFLER DOUBLE GUN

SCHEMATIC

ELENCO PARTI / PARTS LIST

#	QTÀ / QTY	DESCRIZIONE / DESCRIPTION	CODICE / CODE
1	1	Dado M8 flangiato / Flanged nut M8	50.73.052.1
2	1	Rondella in alluminio nera / Black aluminium washer	50.73.221.1
3	1	Vite M8x50 / Screw M8x50	50.73.074.1
4	1	Silenziatore / Muffler - db killer 50.DK.059.0	DOUBLE GUN
5	1	Fascetta Ø 48/51 mm / Pipe clamp Ø 48/51 mm	50.FA.007.1



APPLICAZIONI / APPLICATIONS

CODICE / CODE	TUBO / PIPE	SILENZIATORE / MUFFLER
S.032.SDGB	---	STEEL BLACK