



**MODEL** KAWASAKI KX 250 F

**YEAR** 2011

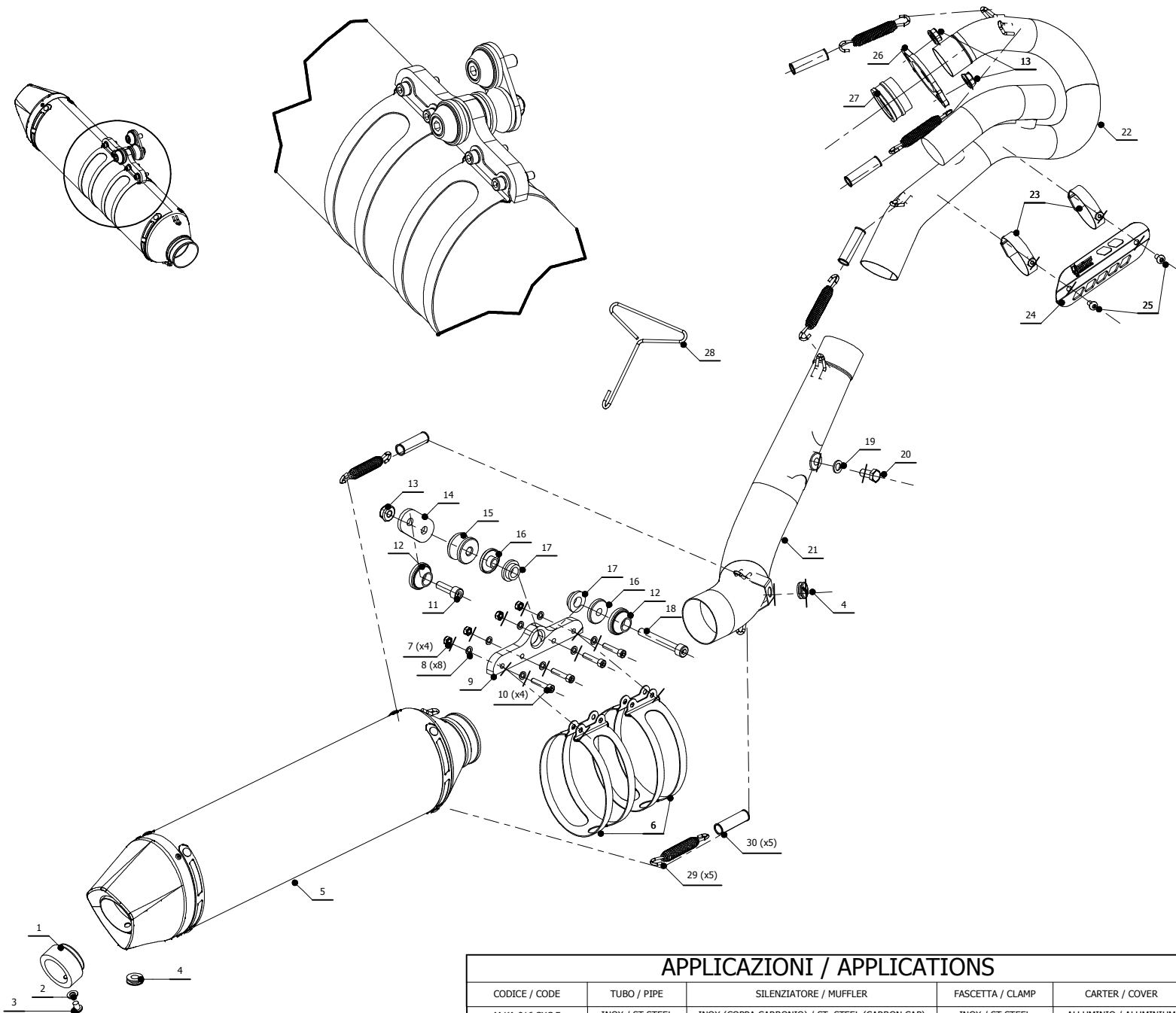
**LINE** STRONGER

**MUFFLER** OVAL STEEL CARBON CAP

**SCHEMATIC**

**ELENCO PARTI / PARTS LIST**

#	QTÀ / QTY	DESCRIZIONE / DESCRIPTION	CODICE / CODE
1	1	DB killer / DB killer	50.DK.049.0
2	1	Rondella M6 / Washer M6	50.73.131.1
3	1	Vite M6 x 8 / Screw M6 x 8	50.72.026.1
4	2	Tappo in gomma / Rubber stopper	50.73.266.1
5	1	Silenziatore INOX / ST. STEEL muffler	OVAL CARBON CAP
6	2	Staffa / Bracket	50.73.386.1
7	4	Dado M5 autobloccante / M5 locknut	50.73.292.1
8	8	Rondella M5 / Washer M5	50.73.351.1
9	1	Staffa / Bracket	50.73.493.1
10	4	Vite M5x25 / Screw M5x25	50.73.392.1
11	1	Vite M8x25 / Screw M8x25	50.73.064.1
12	2	Rondella alluminio / Aluminium washer	50.73.291.1
13	3	Dado 8 MA flangiato / Flanged nut 8 MA	50.73.393.1
14	1	Staffa / Bracket	50.SS.657.0
15	1	Distanziale in alluminio / Aluminium spacer	50.SS.056.1
16	2	Boccola in alluminio / Aluminium bush	50.73.381.1
17	2	Silentblock / Silentblock	50.73.380.1
18	1	Vite M8x60 / Screw M8x60	50.73.078.1
19	1	Rondella M8 / Washer M8	50.73.270.1
20	1	Vite M8x16 / Screw M8 x 16	50.72.006.1
21	1	Tubo di raccordo / Link pipe	97MKA016SX1FB
22	1	Tubo di raccordo / Link pipe	97MKA016SX1FA
23	2	Fascetta con bussola / Pipe clamp with bush	50.73.466.0
24	1	Copertura in alluminio / Aluminium cover	50.CR.012.0
25	2	Vite M5 x 8 / Screw M5 x 8	50.73.459.1
26	1	Flangia / flange	50.73.426.1
27	1	Boccola / Bush	50.73.425.1
28	1	Tiramolla / Spring hook	50.73.395.1
29	5	Molla media / Middle spring	50.73.359.1
30	5	Gommino per molla / Rubber for spring	50.73.210.1



**APPLICAZIONI / APPLICATIONS**

CODICE / CODE	TUBO / PIPE	SILENZIATORE / MUFFLER	FASCETTA / CLAMP	CARTER / COVER
M.KA.016.SXC.F	INOX / ST.STEEL	INOX (COPPA CARBONIO) / ST. STEEL (CARBON CAP)	INOX / ST.STEEL	ALLUMINIO / ALUMINIUM