



MODEL HONDA XLV 700 TRANSALP

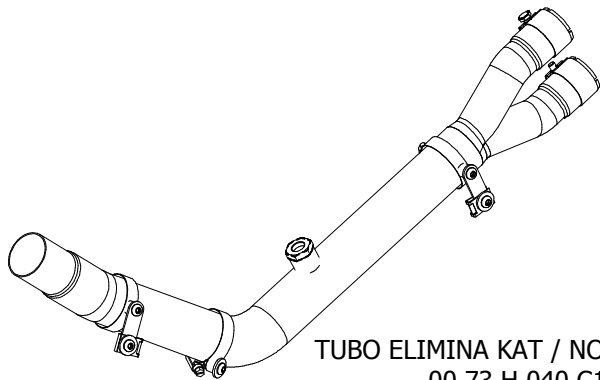
YEAR 2008

LINE SPORT

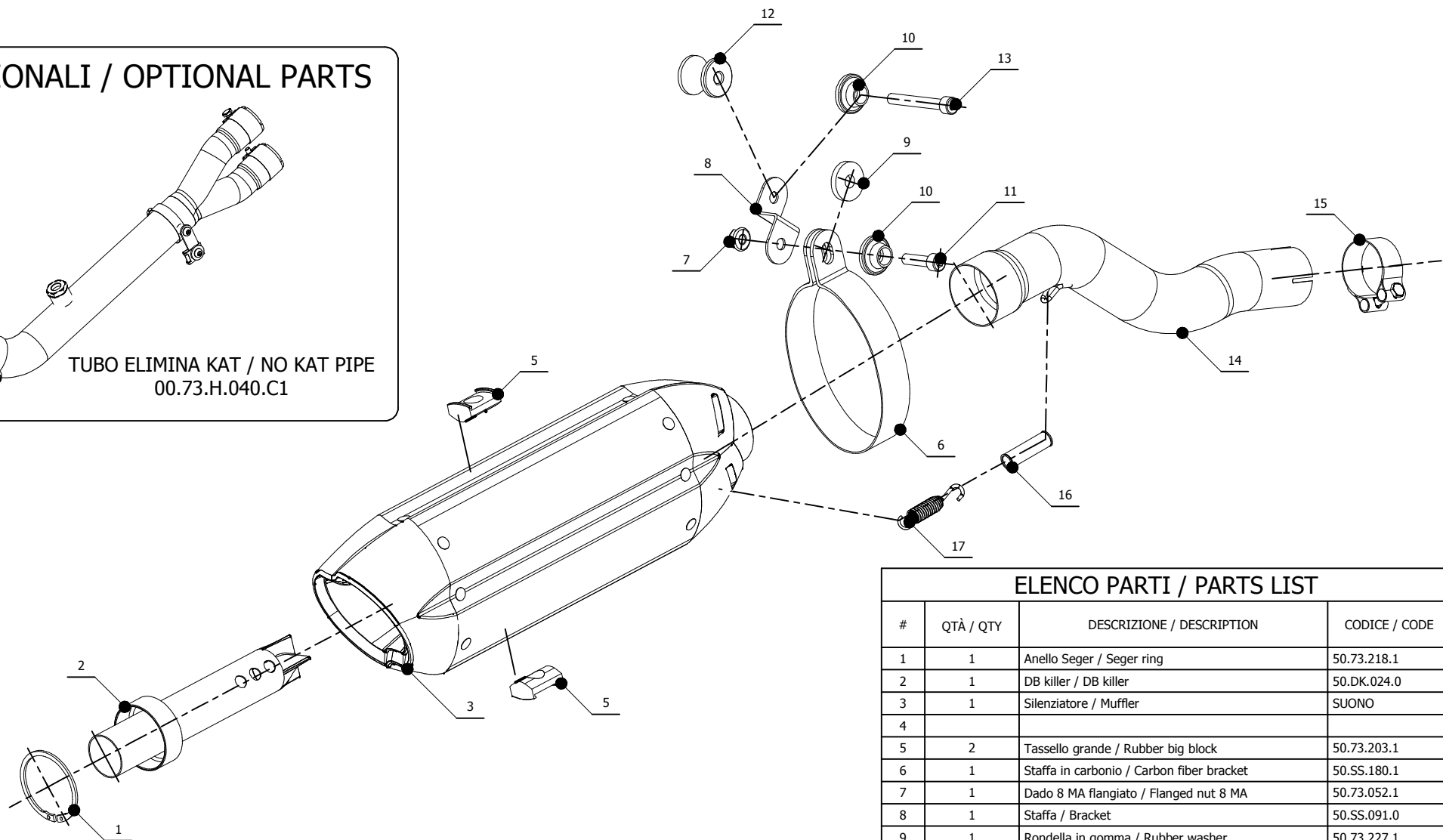
MUFFLER SUONO

SCHEMATIC

PARTI OPZIONALI / OPTIONAL PARTS



TUBO ELIMINA KAT / NO KAT PIPE
00.73.H.040.C1



ELENCO PARTI / PARTS LIST

#	QTÀ / QTY	DESCRIZIONE / DESCRIPTION	CODICE / CODE
1	1	Anello Seger / Seger ring	50.73.218.1
2	1	DB killer / DB killer	50.DK.024.0
3	1	Silenziatore / Muffler	SUONO
4			
5	2	Tassello grande / Rubber big block	50.73.203.1
6	1	Staffa in carbonio / Carbon fiber bracket	50.SS.180.1
7	1	Dado 8 MA flangiato / Flanged nut 8 MA	50.73.052.1
8	1	Staffa / Bracket	50.SS.091.0
9	1	Rondella in gomma / Rubber washer	50.73.227.1
10	2	Rondella in alluminio nera / Black aluminium washer	50.73.221.1
11	1	Vite M8x30 / Screw M8x30	50.73.219.1
12	1	Distanziale in alluminio / Aluminium spacer	50.SS.054.1
13	1	Vite M8x60 / Screw M8x60	50.73.078.1
14	1	Tubo di raccordo / Link pipe	9773H040S2
15	1	Fascetta Ø 44/47 mm / Pipe clamp Ø 44/47 mm	50.FA.006.1
16	1	Tubo in gomma per molla / Rubber pipe for spring	50.73.210.1
17	1	Molla corta / Short Spring	50.73.123.1

APPLICAZIONI / APPLICATIONS

CODICE / CODE	TUBO / PIPE	SILENZIATORE / MUFFLER	FASCETTA / CLAMP	CODICE OMOL. / HOMOL.CODE
H.040.L7	INOX / ST. STEEL	INOX (COPPE CARBONIO) / ST. STEEL (CARBON CAPS)	CARBONIO / CARBON FIBER	ME032 e9 1287
H.040.L9	INOX / ST. STEEL	STEEL BLACK	CARBONIO / CARBON FIBER	ME032 e9 1287