



MODEL TRIUMPH SPEED TRIPLE

YEAR 2011-->

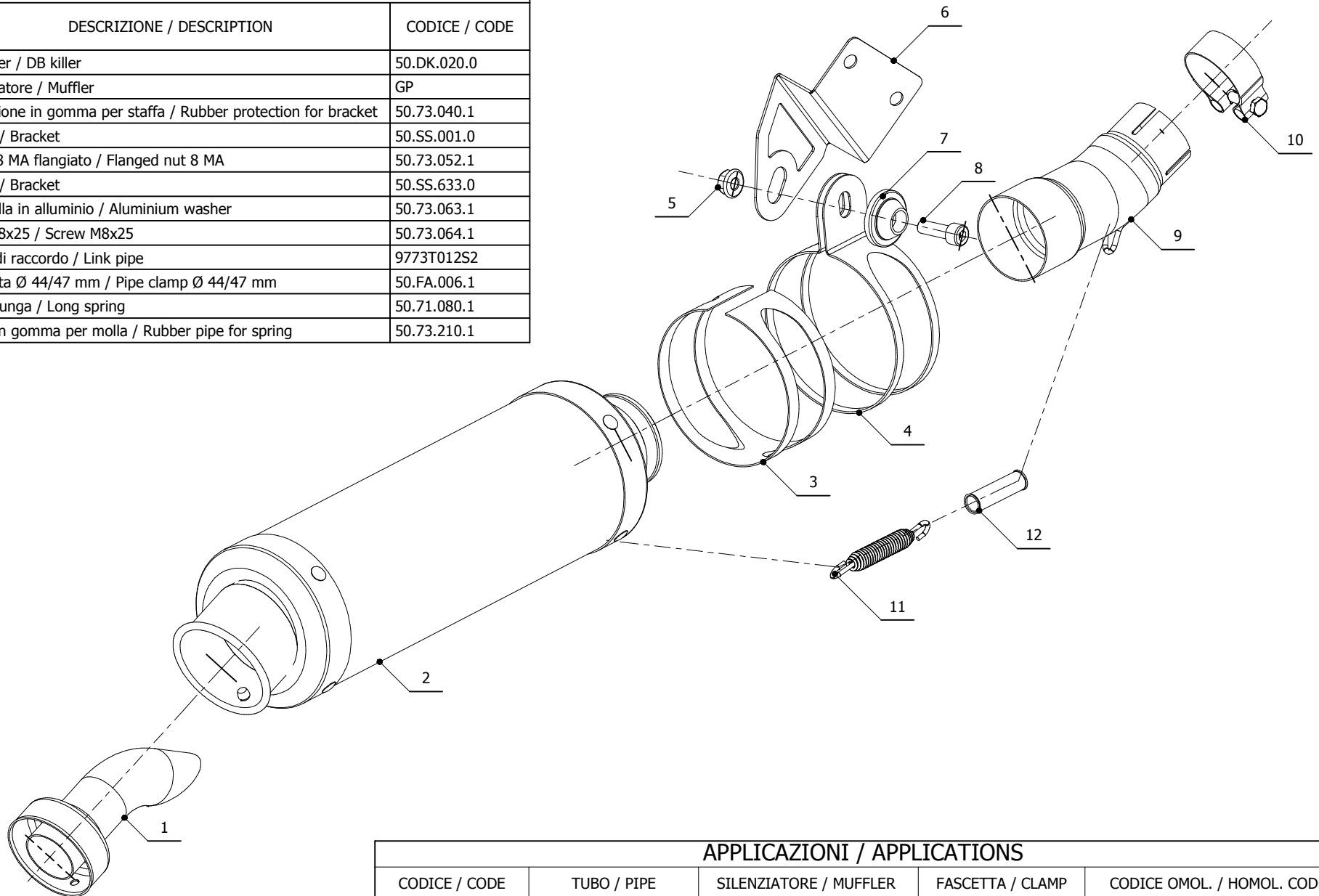
LINE SPORT

MUFFLER GP

SCHEMATIC

ELENCO PARTI / PARTS LIST

#	QTÀ / QTY	DESCRIZIONE / DESCRIPTION	CODICE / CODE
1	1	DB killer / DB killer	50.DK.020.0
2	1	Silenziatore / Muffler	GP
3	1	Protezione in gomma per staffa / Rubber protection for bracket	50.73.040.1
4	1	Staffa / Bracket	50.SS.001.0
5	1	Dado 8 MA flangiato / Flanged nut 8 MA	50.73.052.1
6	1	Staffa / Bracket	50.SS.633.0
7	1	Rondella in alluminio / Aluminium washer	50.73.063.1
8	1	Vite M8x25 / Screw M8x25	50.73.064.1
9	1	Tubo di raccordo / Link pipe	9773T012S2
10	1	Fascetta Ø 44/47 mm / Pipe clamp Ø 44/47 mm	50.FA.006.1
11	1	Molla lunga / Long spring	50.71.080.1
12	1	Tubo in gomma per molla / Rubber pipe for spring	50.73.210.1



APPLICAZIONI / APPLICATIONS

CODICE / CODE	TUBO / PIPE	SILENZIATORE / MUFFLER	FASCETTA / CLAMP	CODICE OMOL. / HOMOL. CODE
T.012.L2S	INOX / ST. STEEL	CARBONIO / CARBON FIBER	INOX / ST. STEEL	ME044 e9 1345
T.012.L6S	INOX / ST. STEEL	TITANIO / TITANIUM	INOX / ST. STEEL	ME044 e9 1345