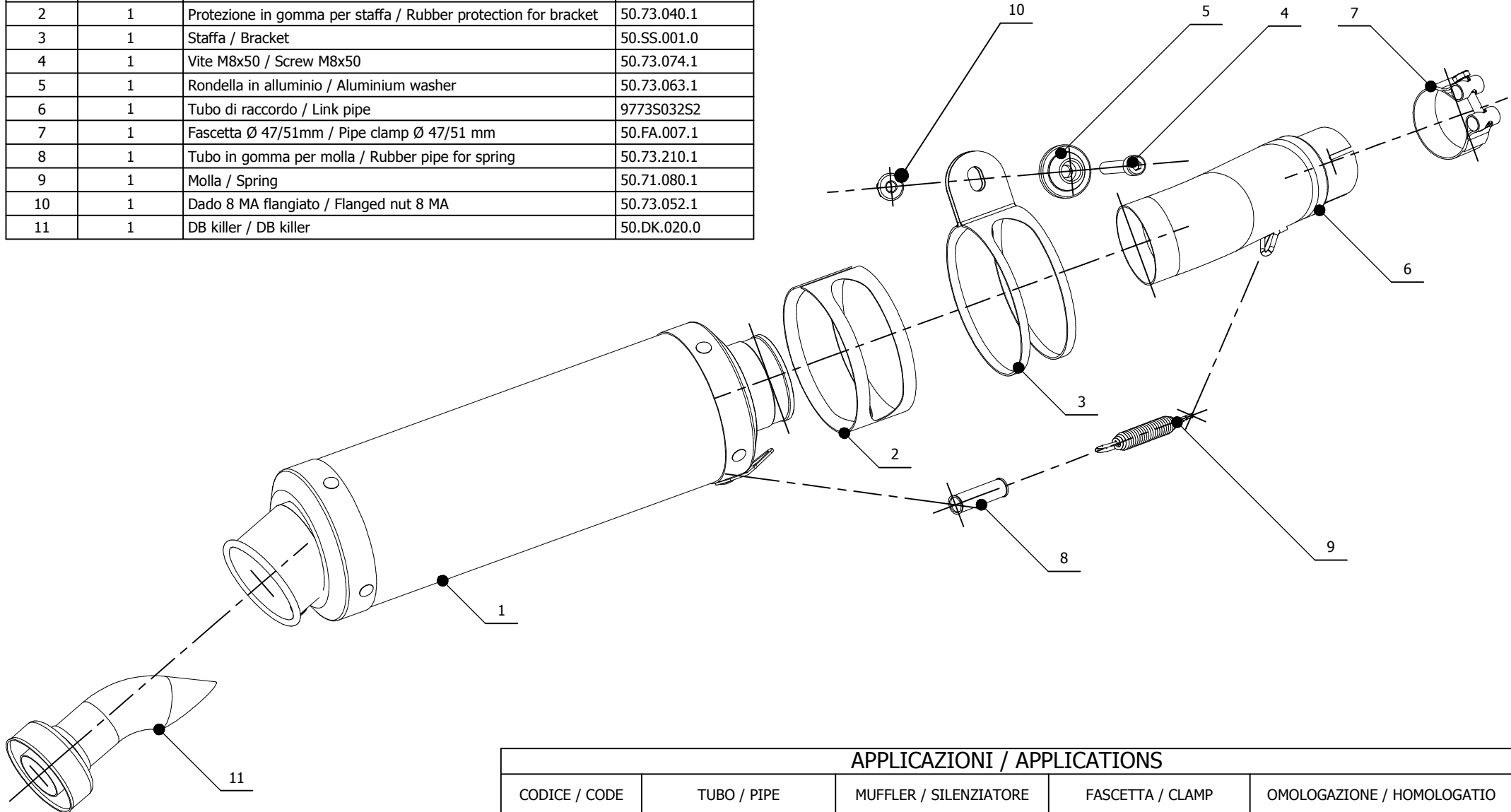


ELENCO PARTI / PARTS LIST

#	QTA' / QTY	DESCRIZIONE / DESCRIPTION	CODICE / CODE
1	1	Silenziatore / Muffler	GP
2	1	Protezione in gomma per staffa / Rubber protection for bracket	50.73.040.1
3	1	Staffa / Bracket	50.SS.001.0
4	1	Vite M8x50 / Screw M8x50	50.73.074.1
5	1	Rondella in alluminio / Aluminium washer	50.73.063.1
6	1	Tubo di raccordo / Link pipe	9773S032S2
7	1	Fascetta Ø 47/51mm / Pipe clamp Ø 47/51 mm	50.FA.007.1
8	1	Tubo in gomma per molla / Rubber pipe for spring	50.73.210.1
9	1	Molla / Spring	50.71.080.1
10	1	Dado 8 MA flangiato / Flanged nut 8 MA	50.73.052.1
11	1	DB killer / DB killer	50.DK.020.0


APPLICAZIONI / APPLICATIONS

CODICE / CODE	TUBO / PIPE	MUFFLER / SILENZIATORE	FASCETTA / CLAMP	OMOLOGAZIONE / HOMOLOGATIO
S.032.L2S	INOX / STAINLESS STEEL	CARBONIO / CARBON FIBER	INOX / STAINLESS STEEL	OMOLOGATO / HOMOLOGATED
S.032.L6S	INOX / STAINLESS STEEL	TITANIO / TITANIUM	INOX / STAINLESS STEEL	OMOLOGATO / HOMOLOGATED